



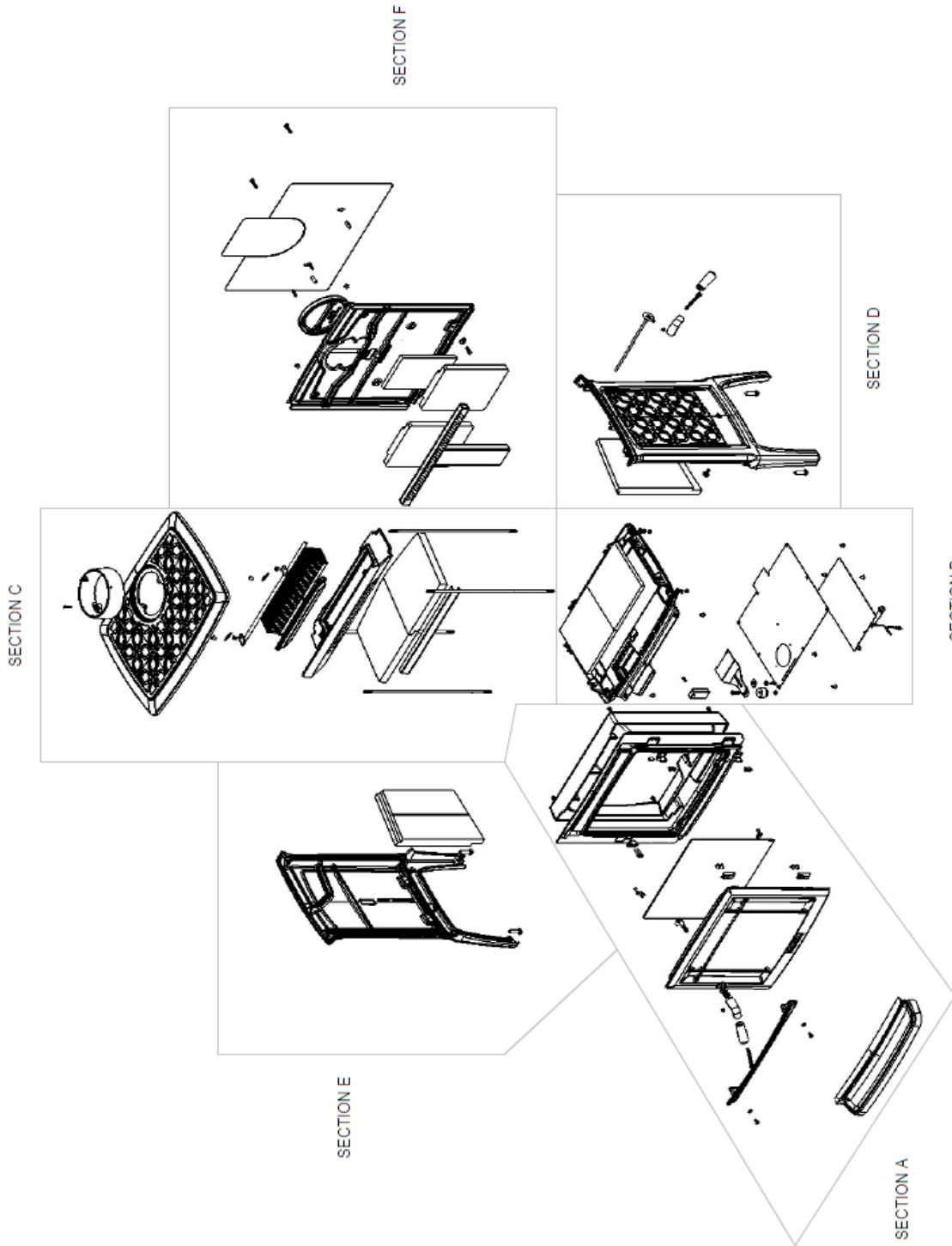
Craftsbury

Model 8392

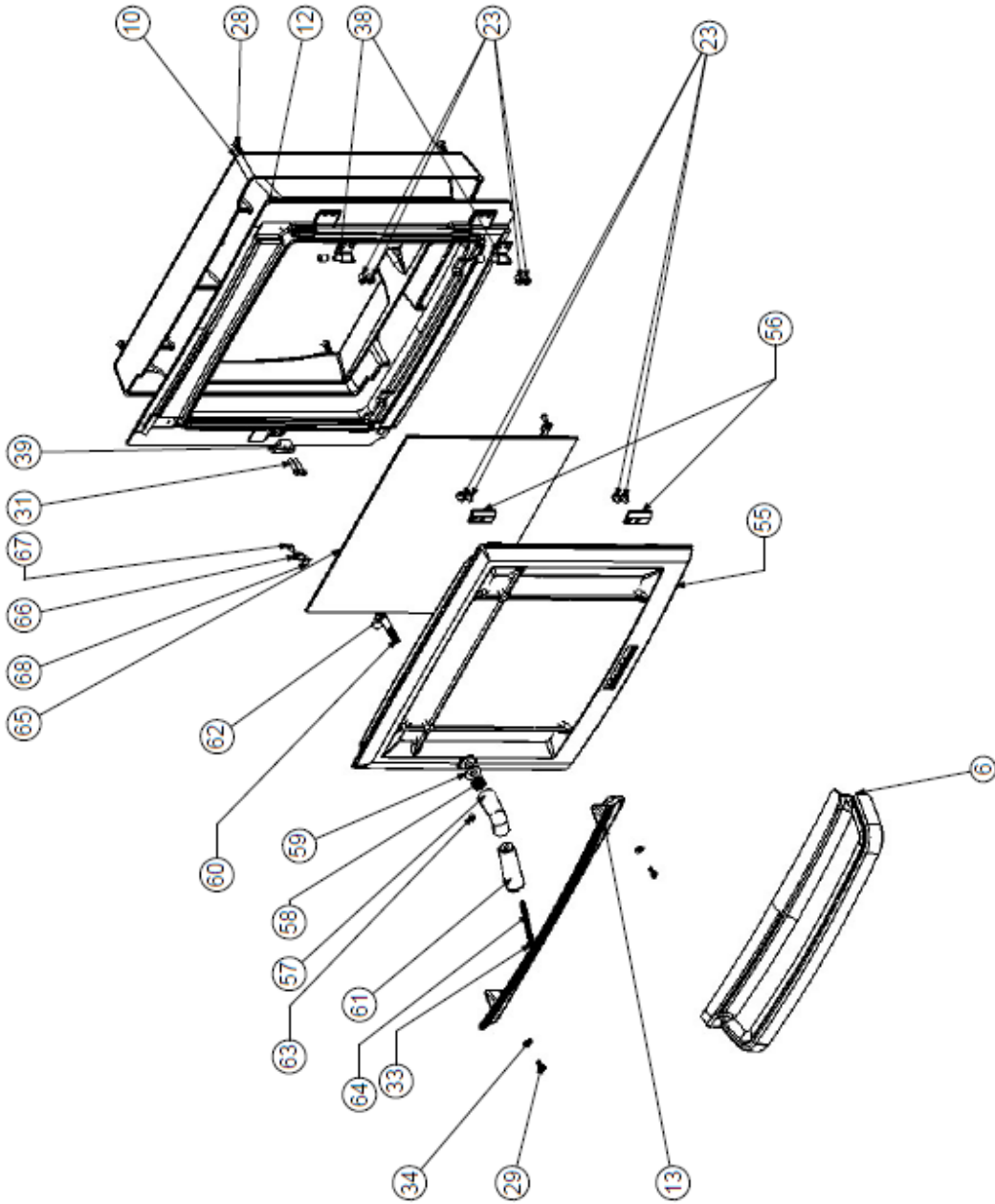


Illustrated Parts List

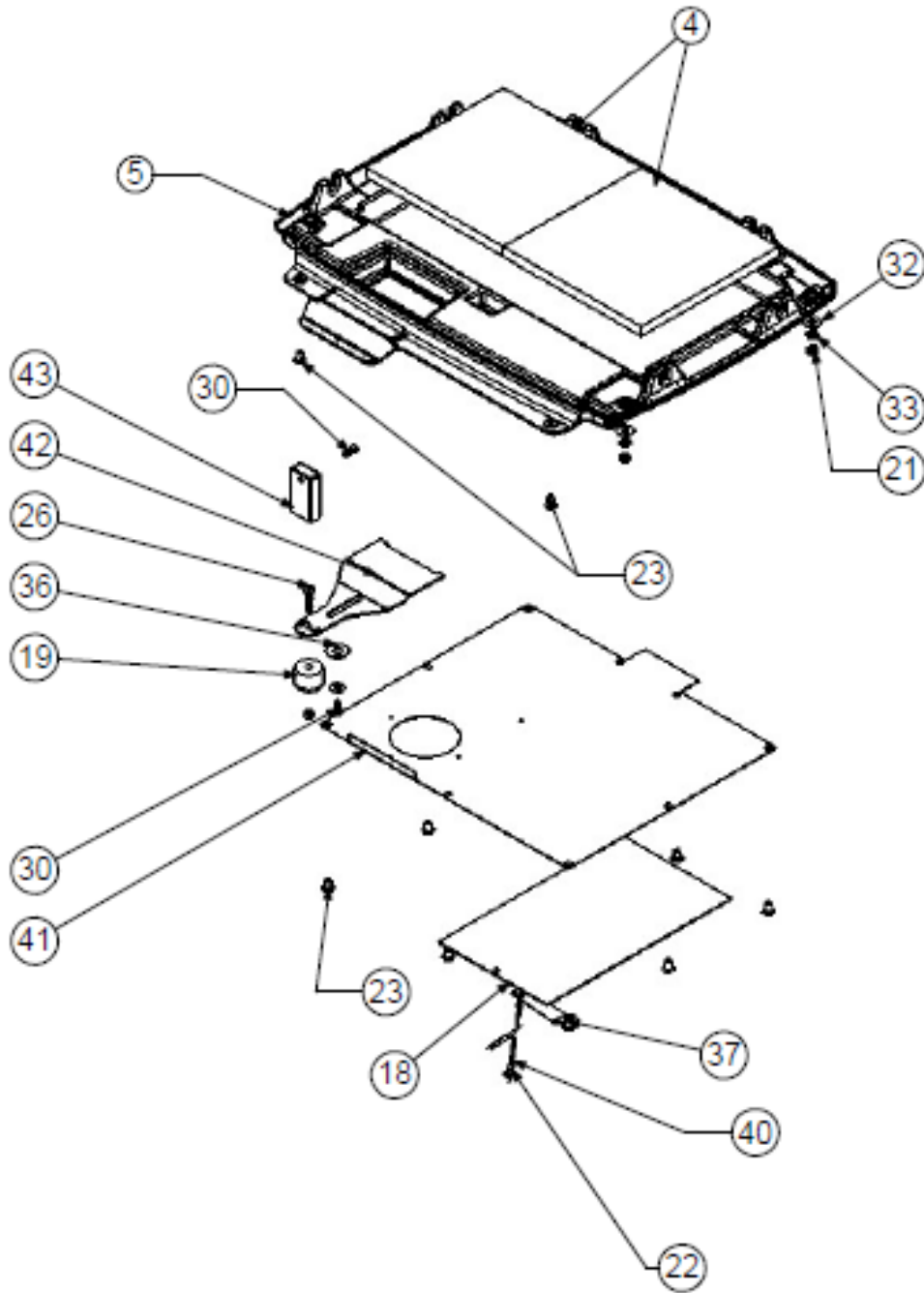
Full Assembly



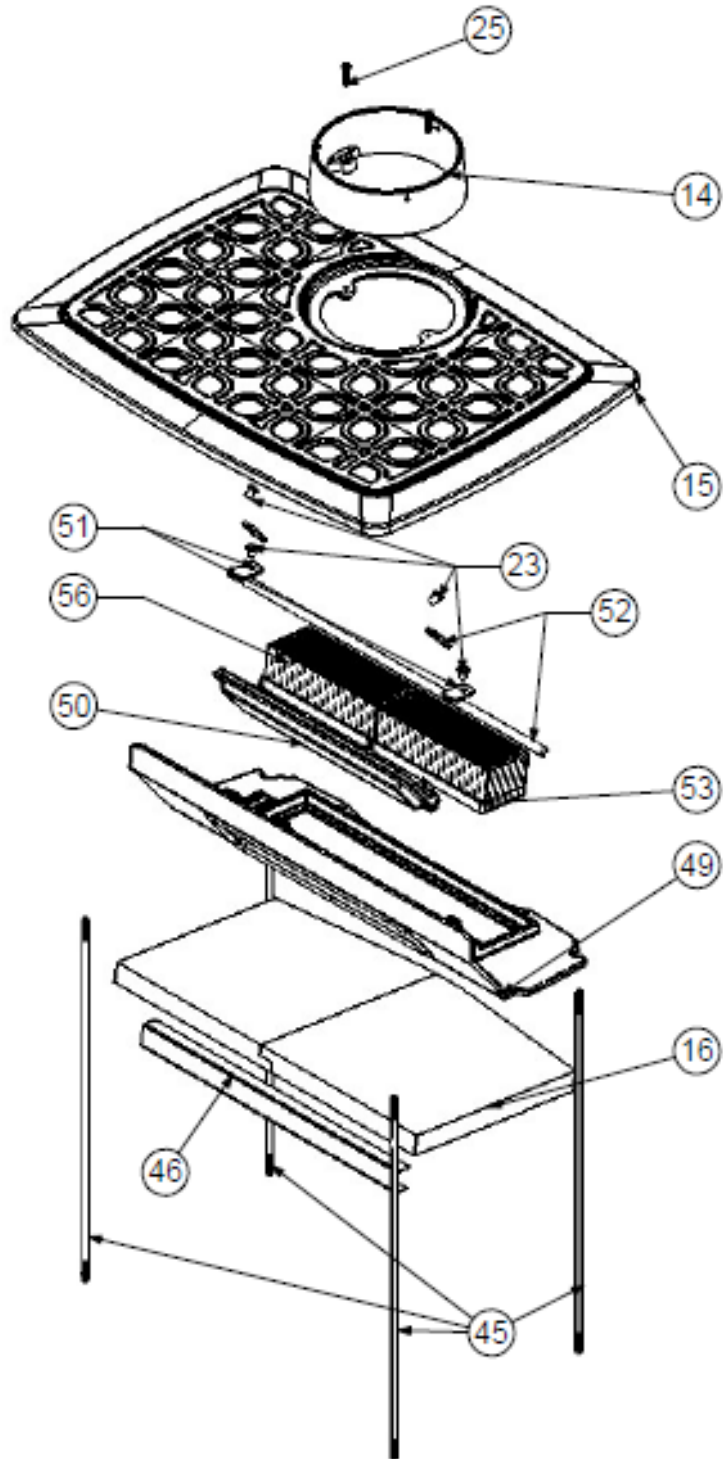
Section A



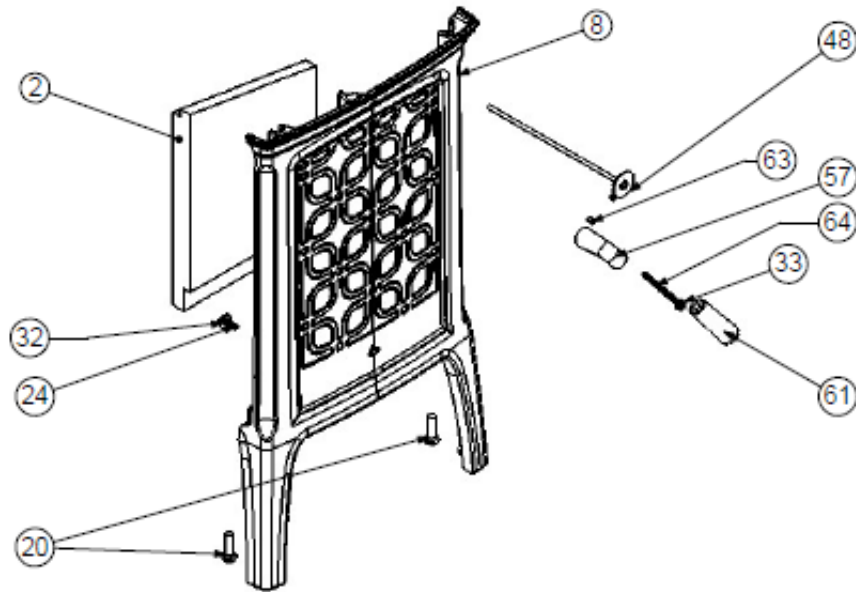
Section B



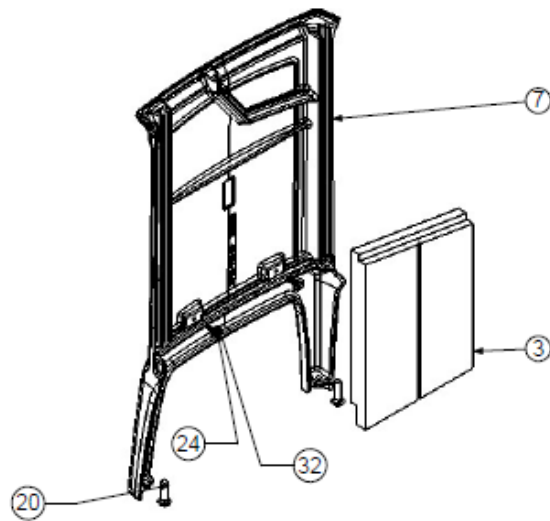
Section C



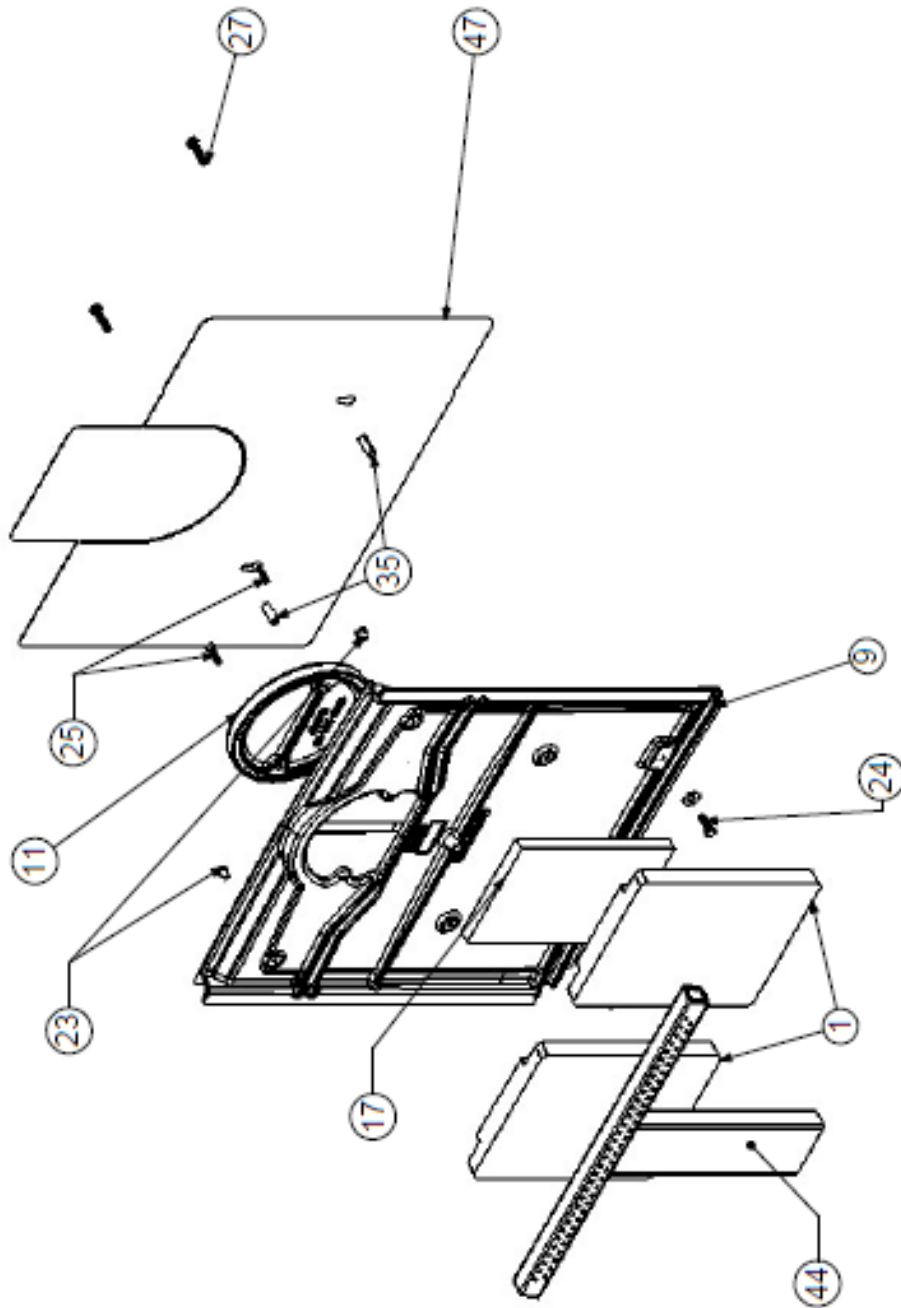
Section D



Section E



Section F



Bill of Materials

ITEM NO.	PART NUMBER	DESCRIPTION
1	1-0600-400	REAR STONE
2	1-0600-401	RIGHT SIDE STONE
3	1-0600-402	RIGHT STONE
4	1-0600-403	BOTTOM STONE
5	2310-921	BOTTOM
6	2310-931	ASHLIP
7	2310-942	SIDE, LEFT
8	2310-943	SIDE, RIGHT
9	2310-951	BACK
10	2310-961	PRIMARY MANIFOLD
11	2310-966	FLUE CAP
12	2310-972	FRONT
13	2310-973	ARCH
14	2310-993	FLUE COLLAR
15	2310-997	TOP
16	3070-020	BAFFLE
17	3070-022	REAR INSULATION
18	3300-679	SAFETY LABEL
19	3900-173	PRIMARY AIR KNOB
20	4100-0127	BOLT: CARRIAGE,3/8-16x1-1/2
21	4200-0200	NUT: FINISHING,1/4-20,HEX,ZN
22	4400-0100	RIVET: BLIND,1/8x1/4" GRIP,SS (CCP-4
23	4500-0540	SCREW: MACH,1/4- 20x3/8",PAN,PH,ZN,BLK
24	4500-0702	SCREW: CAP,1/4- 20x7/8",HEX,GRADE 5,BL OX
25	4500-1020	SCREW:FHCS,10-32x3/8",SS
26	4500-1040	SCREW: BHCS,1/4-20x1", BL OX
27	4500-1357	SCREW:MACH,1/4-20x1-1/4",PAN,PH
28	4500-1510	SCREW: MACH,1/4-20x2- 1/4",FLAT,PH,ZN
29	4500-1876	SCREW: MACH,10- 24x1/2",PAN,PH,BLK OX

Bill of Materials

30	4500-2132	SCREW: SHCS,10-24x1/2",BL OX
31	4500-2140*	SCREW: CAP,10-24x1",SOCK,SS
32	4600-0300	WASHER: FLAT,1/4,USS,BLK OX (3/4" OD)
33	4600-0400*	WASHER: LOCK, 1/4",SPLIT,ZN
34	4600-1210	NO. 10 WASHER BLACK OX
35	4700-0875	SPACER:UNTHREAD,ID 0.26" x OD 0.33" x 1"
36	5021-032	WASHER: FLAT,.406"IDx1"ODx.035"T,BLK
37	5100-010	LABEL CLIP
38	5360-050	FRONT DOOR HINGE BOTTOM
39	5491-045*	DOOR LATCH CATCH
40	5570-030	CABLE: LABEL
41	5640-002	BOTTOM SHIELD
42	5640-004	AIR CONTROL
43	5640-006	PIPE: LPAO
44	5640-010	SECONDARY RISER ASSY
45	5640-012	TIE ROD
46	5640-014	GUARD, BAFFLE
47	5640-024	FLAT REAR SHIELD
48	7200-520	CAT TEMP PROBE 10"
49	2310-965	CATALYST PLATE
50	2610-445	Bypass
51	5640-018*	BYPASS RETAINER
52	5640-016*	GM40 Bypass Rod Assy
53	3160-080*	GASKET, TAPE, 3/4"X 1/16", AD (1985'/SPO
54	3050-010*	CATALYST, 6"
55	2310-977	Door
56	5360-062*	FRONT DOOR HINGE W/STOP
57	2010-254*	HANDLE CRANK, CAST
58	5240-138*	SPRING: LATCH,WOOD STOVES,325#

Bill of Materials

59	5021-032*	WASHER: FLAT, .406"IDx1"ODx.035"T, BLK
60	93-71911*	LATCH ASSEMBLY
61	3900-179*	WOOD HANDLE
62	4700-0790*	SPACER: DOOR LATCH, 0.435"x0.375"x0.03"
63	4500-2976*	SCREW: SET, 5/16-18x3/8", HALF DOG, SOCKET
64	4500-1680*	Screw: Mach 1/4-20, 3-1/2, Round, Slot, Zn
65	3030-056*	GLASS
66	5370-068*	CLIP: GLASS
67	4500-2105*	SCREW: MACH, 10-24x3/8", UN- CUT, FLAT, PH,
68	3120-021*	GASKET: GLASS CLIP, BLACK

* = Available in kits only.

REPLACEMENT KITS AND ACCESSORIES

96-53400	OUTSIDE AIR KIT
96-58400	GASKET KIT
93-58925	GLASS KIT
93-71920	HANDLE KIT
93-73920	FRONT DOOR LATCH KIT
96-75400	CATALYST REPLACEMENT KIT
96-76400	BAFFLE KIT
96-57400	BLOWER KIT

Note: See manual for accessory kits.