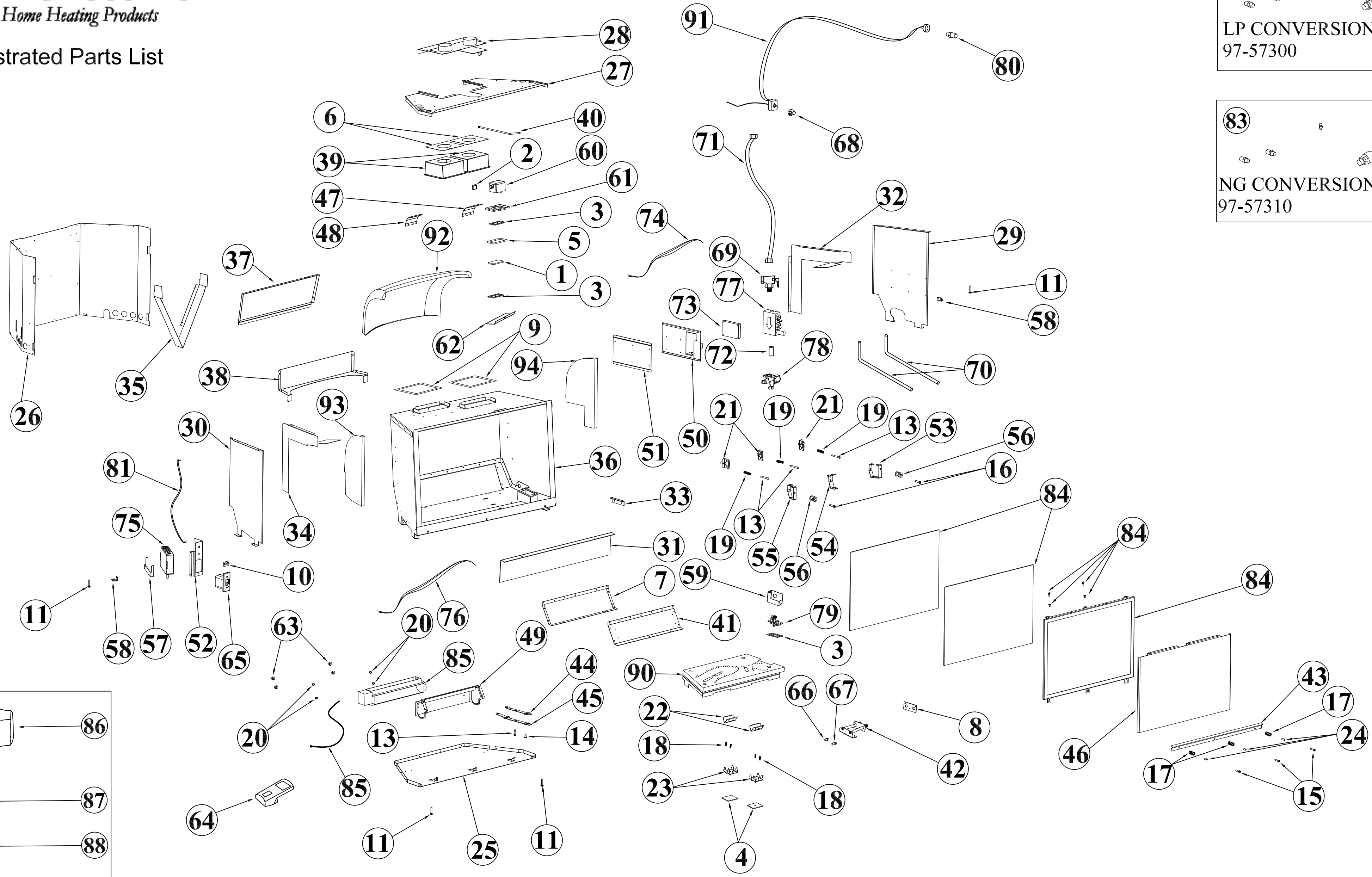
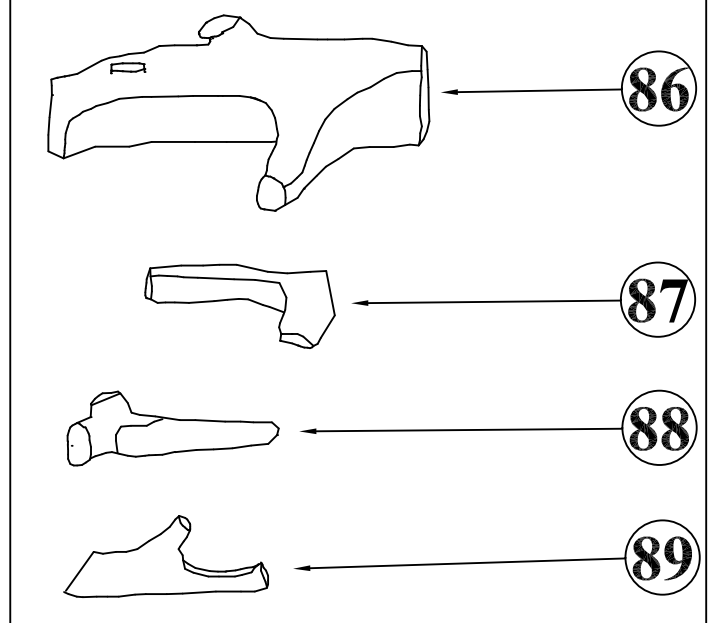


DVI-38 Illustrated Parts List



82
LP CONVERSION KIT
97-57300

83
NG CONVERSION KIT
97-57310



86
87
88
89
LOG SET 98-66910

8850 DX Exploded View Key

Key	Part Number	Object Description	Qty
1	3030-435	Glass: Ambient Light	1
2	3120-160	Ceramic Gasket Plug: Ambient Light (1"x1"x 1/2")	1
3	3160-152	Gasket: Pilot and Ambient Light	3
4	3160-227	Gasket: Air Shutter	2
5	3160-855	Tape: Copper Foil (1/2")	.8'
6	3160-870	Gasket: Inlet/Exhaust Upper	2
7	3160-871	Gasket: Blower Hatch	1
8	3160-872	Gasket: Orifice Manifold	1
9	3160-873	Gasket: Inlet/Exhaust Lower	2
10	3300-549	Label: IPI/Continuous Pilot	1
11	4100-0117	Leveling Bolt: 1/4-20 x 1-1/2"	4
12	4100-0295	Screw: Shoulder 5/16 x 1" socket	2
13	4100-0300	Screw: Shoulder 5/16 x 3/8" socket	1
14	4500-0570	Screw: 1/4-20 x 1/2"	1
15	4500-1040	Screw: 1/4-20 x 1" Button	3
16	4500-1400	Screw: 1/4-20 x 2-1/4" Hex	3
17	5000-108	Spring: .48" OD x .5" Long	3
18	5240-139	Spring: Air Shutter	4
19	5240-150	Spring: Top Glass Frame	3
20	5491-090	Bushing: Blower	4
21	5710-279	Handle: Glass Spring Clip	3
22	5710-313	Air Shutter	2
23	5710-314	Slider: Air Shutter	2
24	5710-405	Sleeve: Glass Mounting	3
25	5850-000	Exterior Base	1
26	5850-005	Exterior Sides	1
27	5850-011	Exterior Top	1
28	5850-016	Flue Collar	1
29	5850-026	Heat Shield, Right Side	1
30	5850-031	Heat Shield, Left Side	1
31	5850-032	Secondary Air Deflector	1
32	5850-036	Air Channel, Right Side	1
33	5850-038	Right Panel Shelf	1
34	5850-041	Air Channel, Left Side	1
35	5850-046	Air Channel, Rear	1
36	5850-055	Firebox	1
37	5850-075	Firebox, Rear Interior, Upper	1
38	5850-076	Firebox, Rear Interior, Lower	1
39	5850-081	Manifold, Exhaust/Inlet	2
40	5850-086	Tool: Flue (For Installation)	1
41	5850-091	Blower Hatch	1
42	5850-135	Orifice Manifold	1
43	5850-145	Glass Frame Clip	1
44	5850-150	Air Shutter Lever, Primary	1

45	5850-155	Air Shutter Lever, Secondary	1
46	5850-180	Front Glass Screen	1
47	5860-050	Air Channel, Right Corner	1
48	5860-055	Air Channel, Left Corner	1
49	5860-095	Blower Bracket	1
50	5860-100	Valve Tray	1
51	5860-105	Valve Tray Track	1
52	5860-110	Manual Controls Bracket	1
53	5860-115	Right Glass Mounting Bracket	1
54	5860-120	Middle Glass Mounting Bracket	1
55	5860-125	Left Glass Mounting Bracket	1
56	5860-130	Façade Roller	2
57	5860-160	FCM Mounting Bracket	1
58	5860-170	Leg Leveling Base	2
59	5860-175	Pilot Shield	1
60	5860-177	Ambient Light Shield Box	1
61	5860-178	Ambient Light Shield Plate	1
62	5860-179	Ambient Light Deflector	1
63	7000-130	Grommet: Blower	4
64	7000-393	Remote Control Transmitter	1
65	7000-394	Remote Control Reciever	1
66	7200-441	#41 Rear Orifice	1
67	7200-449	#49 Front Orifice	1
68	7200-602	Light Control Knob	1
69	7211-004	Shut-off Valve	1
70	7211-018	Flex Tube 3/8" x 12"	2
71	7211-029	Flex Tube 3/8" x 36"	1
72	7211-033	Nipple: 3/8" x 2"	1
73	7211-101	DFC Board	1
74	7211-102	DFC Wire Harness	1
75	7211-105	Fan Control Module	1
76	7211-106	GTMFS Wire Harness	1
77	7211-111	Gas Control Valve	1
78	7211-355	Solenoid: Split Flow	1
79	7211-395	NG Pilot Assembly	1
80	7300-050	50 watt Halogen Bulb	1
81	7300-052	IPI Wire Harness Extension	1
82	97-57300	LP Conversion Kit	
	7211-344	LP Stepper motor	1
	7200-468	#54 Rear Orifice	1
	7200-455	#55 Front Orifice	1
	7211-136	.35mm Pilot Orifice	1
83	97-57310	NG Conversion Kit	
	7211-345	NG Stepper Motor	1
	7200-441	#41 Rear Orifice	1

	7200-449	#49 Front Orifice	1
	7211-163	.62mm Pilot Orifice	1
84	97-58500	Front Glass Kit	
	3030-533	Front Glass	1
	3160-060	Tadpole Gasket	8'
	4400-0203	Rivet	2
	5710-365	Front Glass Clip	2
	5850-140	Front Glass Frame	1
85	97-58510	Blower Kit	
	7200-511	Power Cord	1
	7211-980	Blower	1
	98-66910	Log Set	
86	7211-620	Rear Log	1
87	7211-621	Front Right	1
88	7211-622	Front Left	1
89	7211-623	Top Left	1
90	98-74610	Burner Pan Assembly	1
91	98-76605	Light Socket Assembly	1
	98-76610	Baffle Set	
92	3120-800	Rear Panel	1
93	3120-801	Left Panel	1
94	3120-802	Right Panel	1