



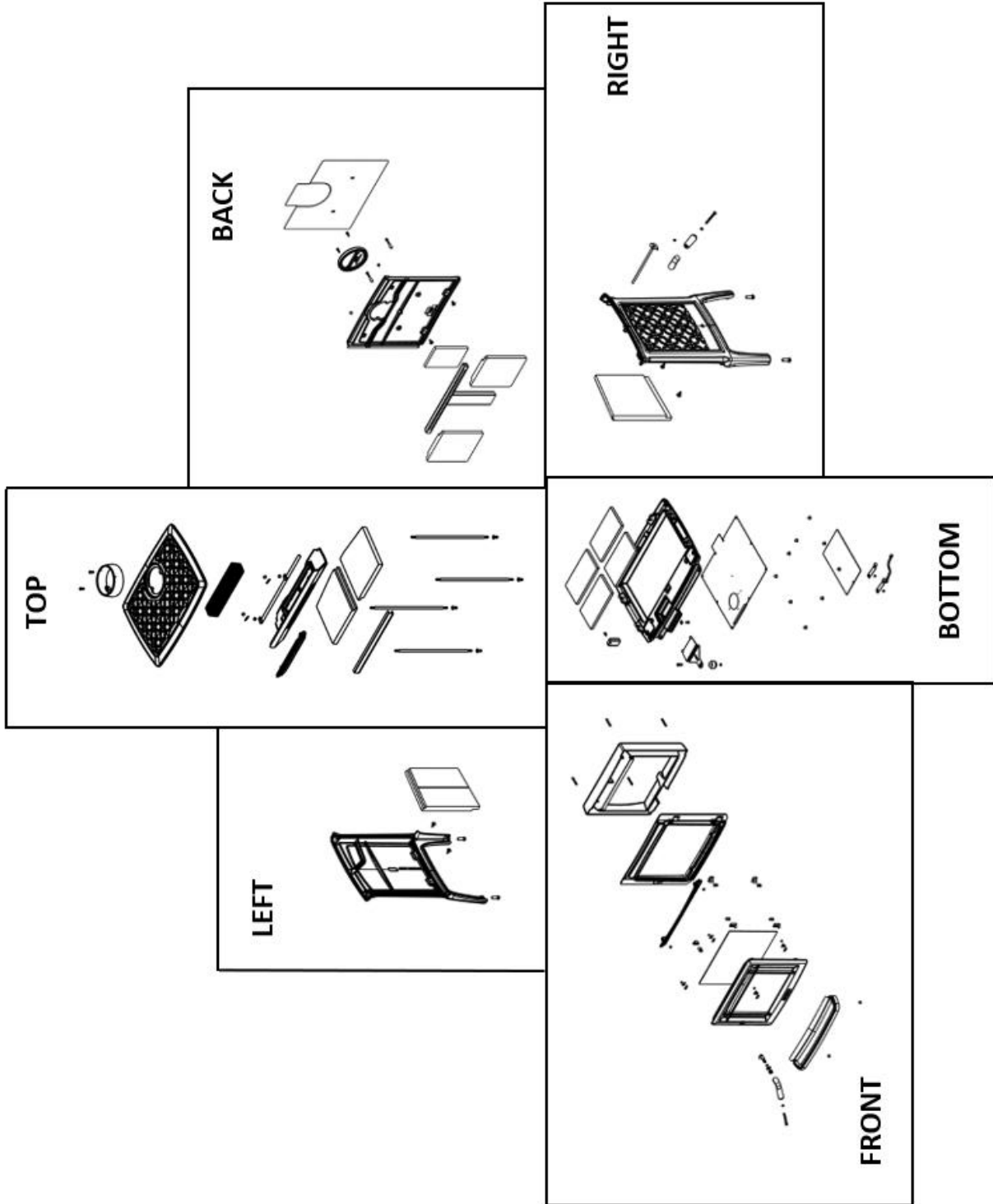
Shelburne

Model 8372

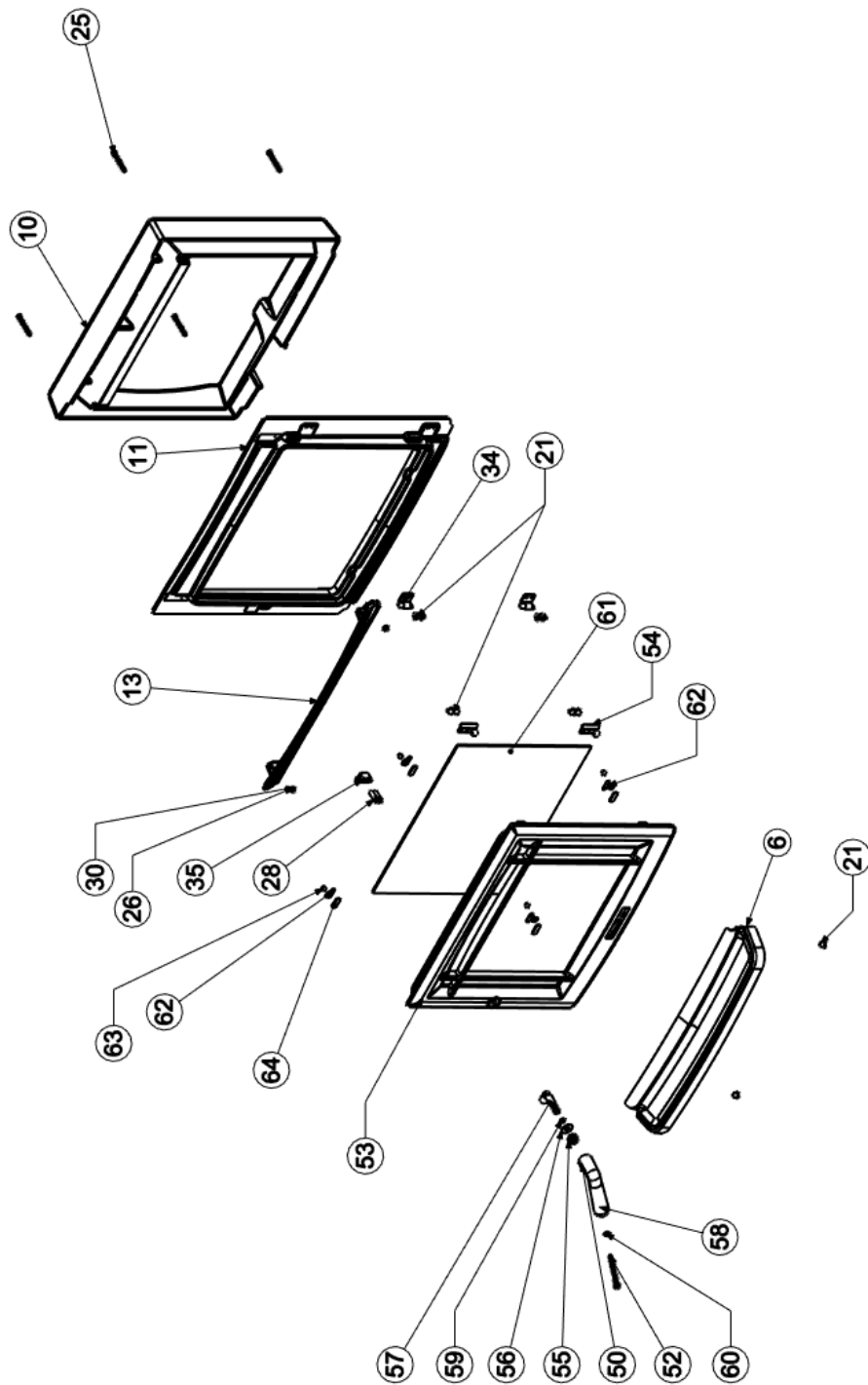


Illustrated Parts List

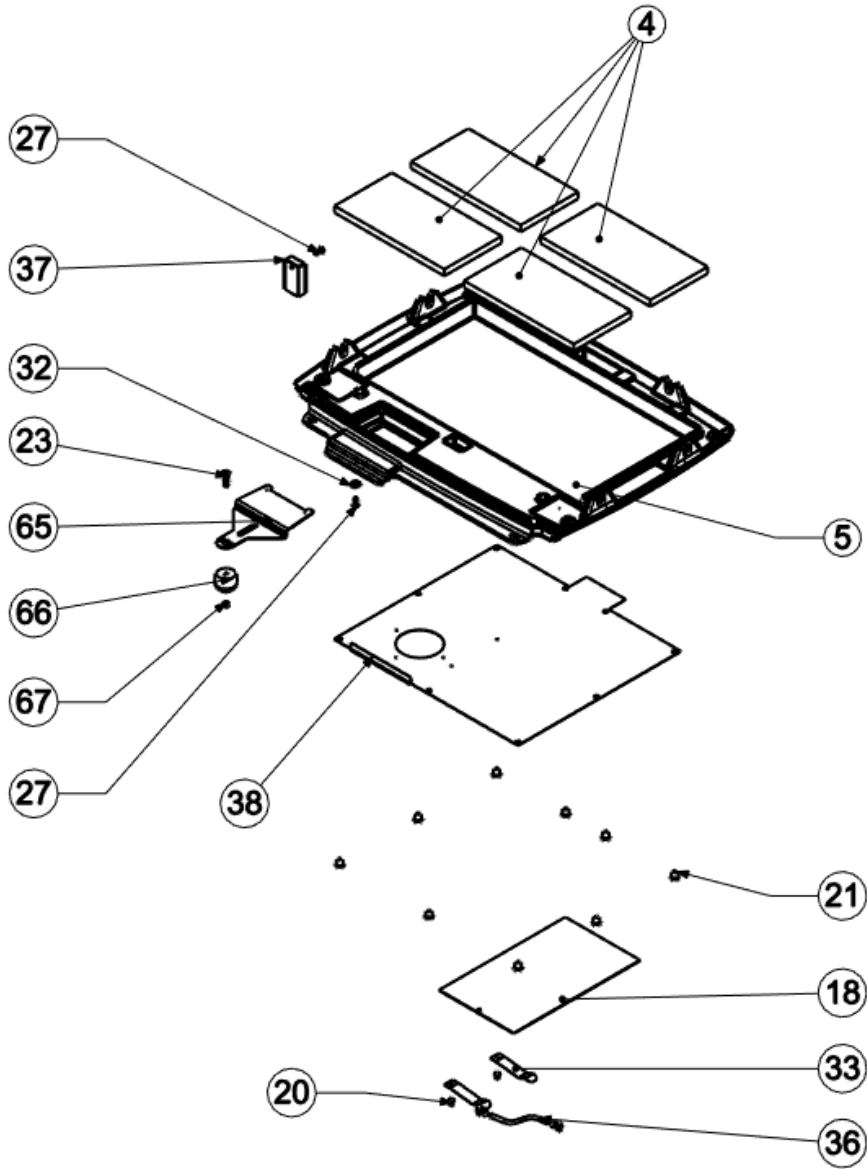
Full Assembly



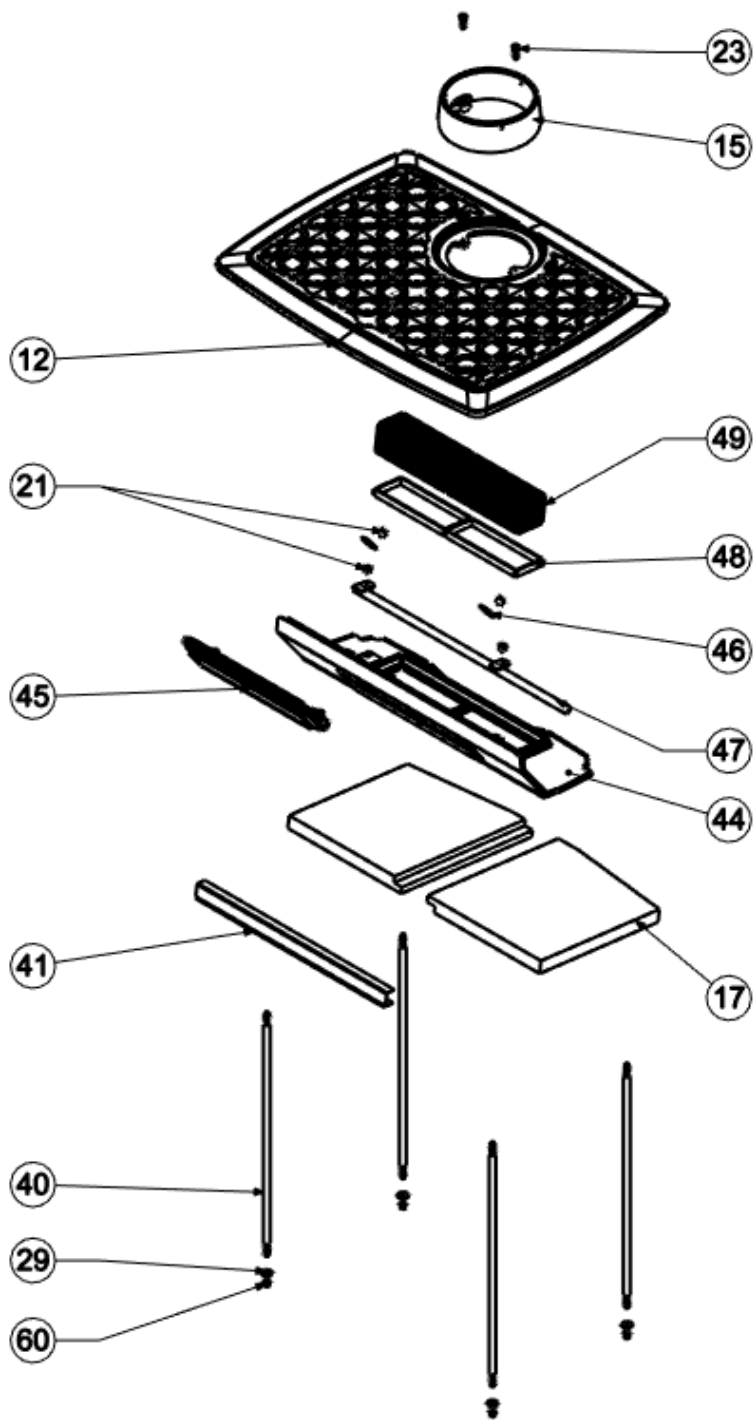
FRONT



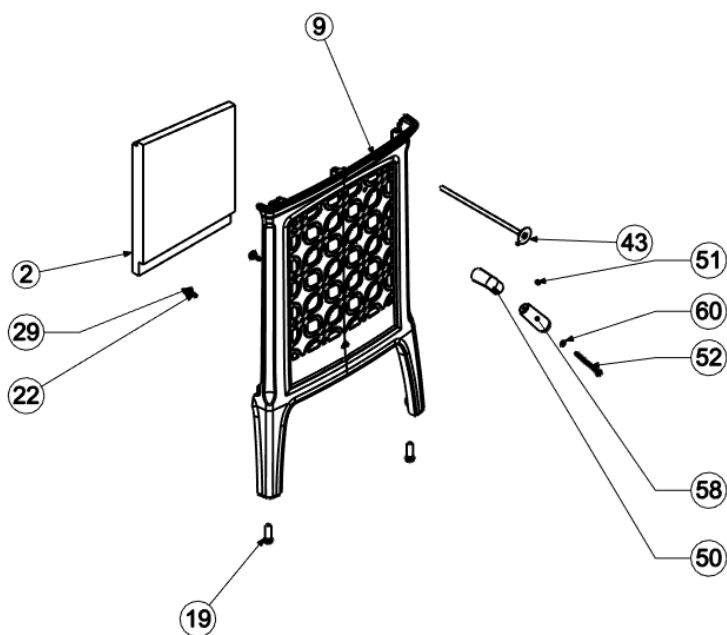
BOTTOM



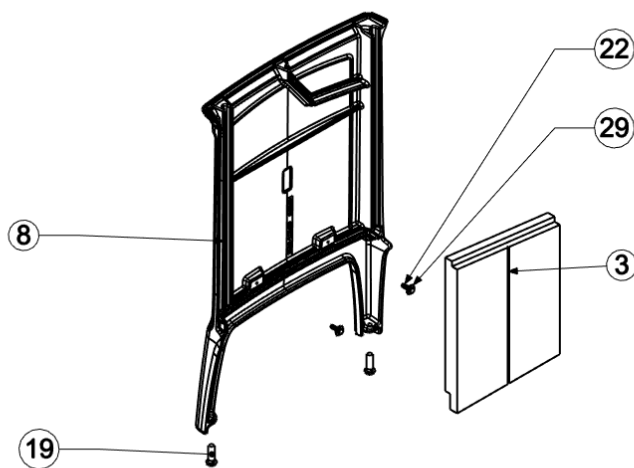
TOP



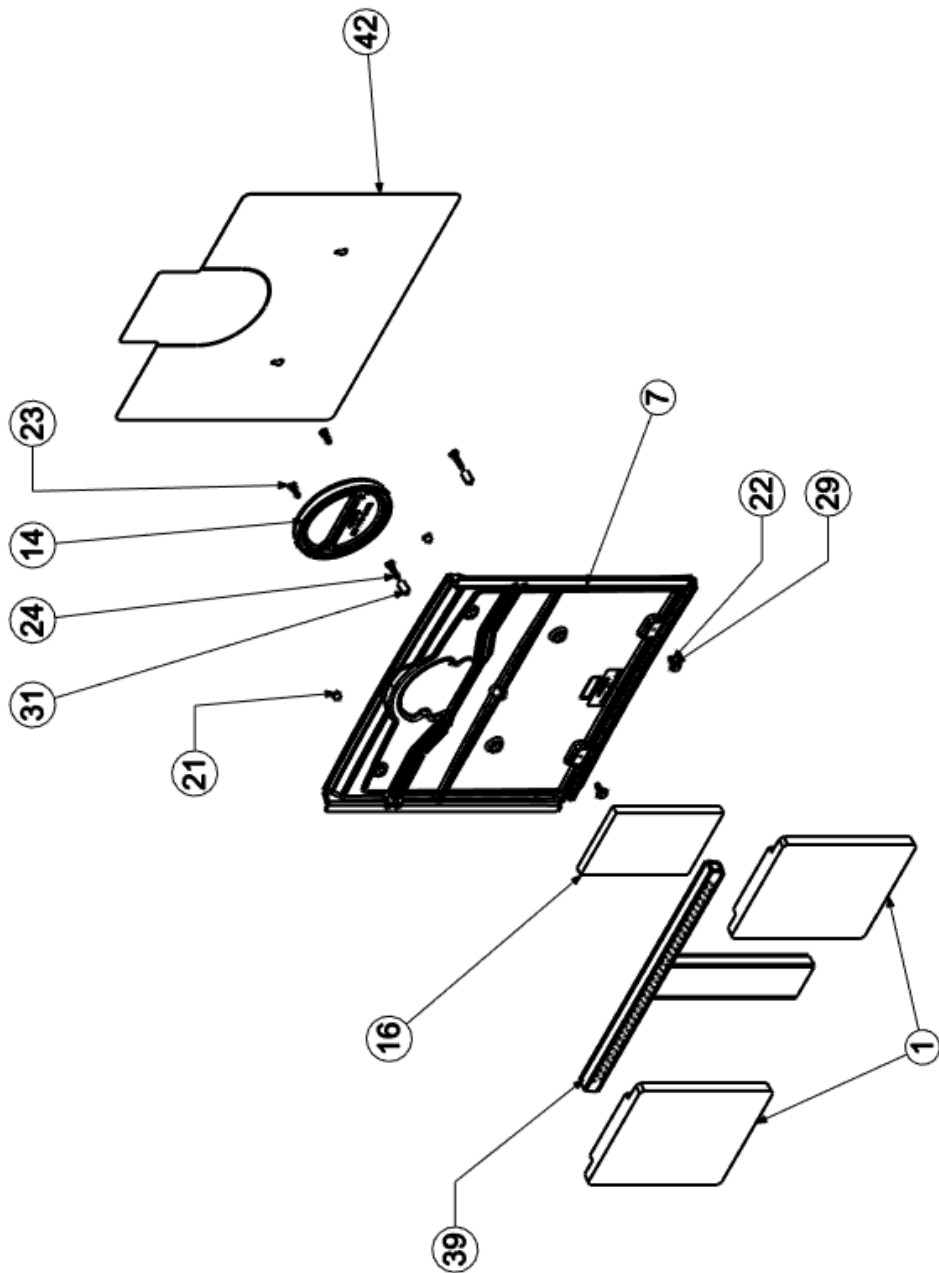
RIGHT SIDE



LEFT SIDE



BACK



Bill of Materials

ITEM NO	PART NUMBER	DESCRIPTION	QTY.
1	1-0600-600	REAR STONE	2
2	1-0600-601	RIGHT SIDE STONE	1
3	1-0600-602	LEFT SIDE STONE	1
4	1-0600-604	BOTTOM STONE	4
5	2310-701	BOTTOM	1
6	2310-721	ASHLIP	1
7	2310-726	BACK	1
8	2310-732	SIDE, LEFT	1
9	2310-737	SIDE, RIGHT	1
10	2310-741	PRIMARY MANIFOLD	1
11	2310-747	FRONT	1
12	2310-756	TOP	1
13	2310-770	ARCH	1
14	2310-966	FLUE CAP	1
15	2310-993	FLUE COLLAR	1
16	3070-023	REAR INSULATION	1
17	3070-025	BAFFLE, L / R	2
18	3300-757	SAFETY LABEL RATING, SHE2	1
19	4100-0127	BOLT: CARRIAGE,3/8-16x1-1/2	4
20	4400-0100	RIVET: BLIND,1/8x1/4" GRIP,SS (CCP-4	4
21	4500-0540	SCREW: MACH,1/4- 20x3/8",PAN,PH,ZN,BLK	25
22	4500-0702	SCREW: CAP,1/4- 20x7/8",HEX,GRADE 5,BL OX	6
23	4500-1020	SCREW: FHCS,1/4-20X1",BL OX	5
24	4500-1357	SCREW:MACH,1/4-20x1-1/4",PAN,PH	2
25	4500-1510	SCREW: MACH,1/4-20x2-1/4",FLAT,PH,ZN	4
26	4500-1876	SCREW: MACH,10- 24x1/2",PAN,PH,BLK OX	2
27	4500-2132	SCREW: SHCS,10-24x1/2",BL OX	2
28	4500-2140	SCREW: CAP,10-24x1",SOCK,SS	2
29	4600-0300	WASHER: FLAT,1/4,USS,BLK OX (3/4" OD)	10
30	4600-1210	WASHER: FLAT,10,SAE, BLACK OXIDE	2
31	4700-0875	SPACER:UNTHREAD,ID 0.26" x OD 0.33" x 1"	2

Bill of Materials

32	5012-066	BUSHING	1
33	5100-010	LABEL CLIP	2
34	5360-050	FRONT DOOR HINGE BOTTOM	2
35	5491-045*	DOOR LATCH CATCH	1
36	5570-030	CABLE: LABEL, 1/16"Dx12", 2 EYES	1
37	5640-006	PIPE: LPAO	1
38	5660-002	BOTTOM SHIELD	1
39	5660-010	SECONDARY RISER ASSY	1
40	5660-012	TIE ROD	4
41	5660-014	GUARD, BAFFLE	1
42	5660-024	FLAT REAR SHIELD	1
43	7200-520	CAT TEMP PROBE 10"	1
44	2310-765	CATALYST PLATE	1
45	2610-445	Bypass	1
46	5640-018*	BYPASS RETAINER	2
47	5660-016*	GM60 Bypass Rod Assy	1
48	3160-080*	GASKET, TAPE, 3/4"X 1/16", AD (1985/SPO	2
49	3050-010*	CATALYST, 6"	2
50	2010-254*	HANDLE CRANK, CAST	2
51	4500-2976*	SCREW: SET, 5/16-18x3/8", HALF DOG, SOCKET	2
52	4500-1680*	Screw: Mach 1/4-20, 3-1/2, Round, Slot, Zn	2
53	2310-751	Door	1
54	5360-062*	FRONT DOOR HINGE W/STOP	2
55	5240-138*	SPRING: LATCH, WOOD STOVES, 325#	1
56	5021-032*	WASHER: FLAT, .406"IDx1"ODx.035"T, BLK	1
57	93-71911*	LATCH ASSEMBLY	1
58	3900-179*	WOOD HANDLE	2
59	4700-0790*	SPACER: DOOR LATCH, 0.435"x0.375"x0.03"	4
60	4600-0400*	WASHER: LOCK, 1/4", SPLIT, ZN	8
61	3030-058*	GLASS	1
62	5021-060*	GLASS CLIP	4
63	4500-2105*	SCREW: MACH, 10-24x3/8", UN- CUT, FLAT, PH,	4
64	3120-021*	GASKET: GLASS CLIP, BLACK, HER 1/TRI/BRI	4

Bill of Materials

65	5660-004	PRIMARY AIR CONTROL	1
66	3900-173	PRIMARY AIR KNOB	1
67	4200-0200	NUT: FINISHING,1/4-20,HEX,ZN	5

* = Available in kits only.

REPLACEMENT KITS AND ACCESSORIES

96-58400	GASKET KIT
93-58725	GLASS KIT
96-71400	HANDLE KIT
96-73400	FRONT DOOR LATCH KIT
96-75400	CATALYST REPLACEMENT KIT
96-76600	BAFFLE KIT
96-57400	BLOWER KIT
96-53400	OUTSIDE AIR KIT

Note: See manual for accessory kits.