

Technical Data Sheet

GMi70 Model 8450 Liner Offset Adapter

Part number 5700-007

Parts Required:

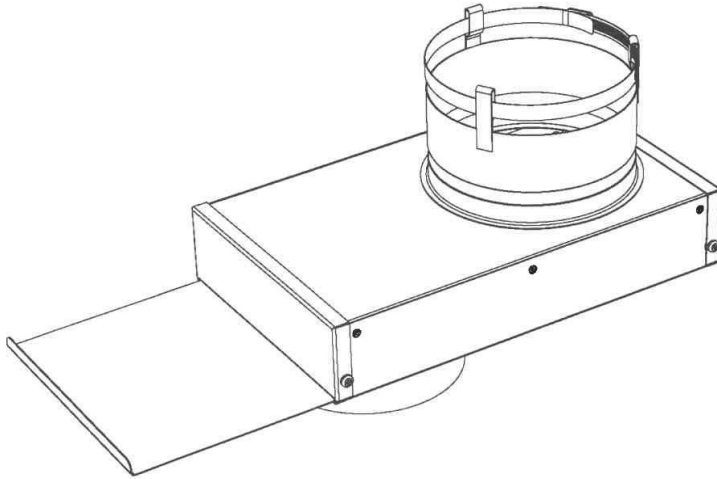
(1) Liner offset adapter

Not Included

Chimney liner (flexible with adapter or rigid)
(3) Self-tapping screws

TOOLS REQUIRED:

Flat screwdriver
Power drill or driver
Work Gloves
Tin Snips

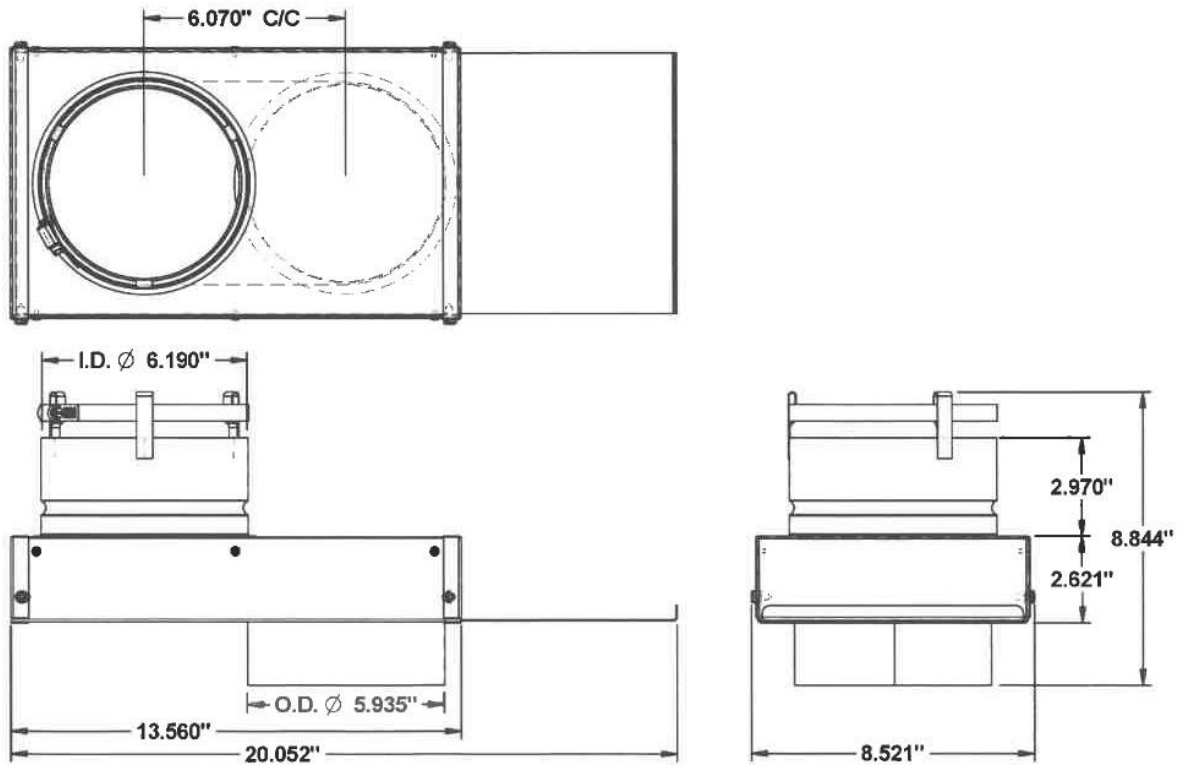


Important:

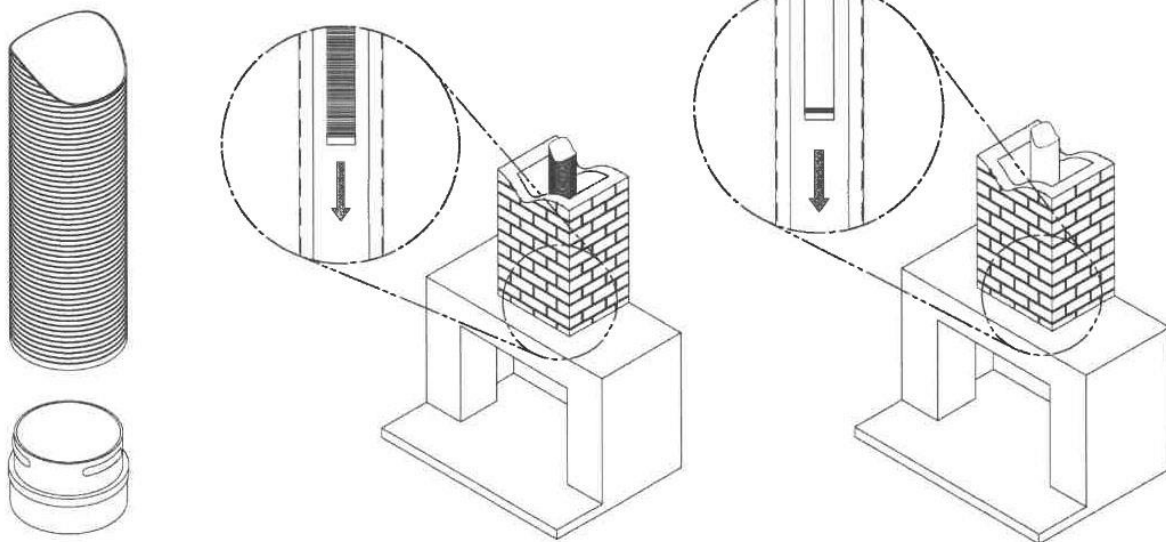
Read through all instructions before beginning your installation. It is important that you carefully follow the installation instructions. Failure to install this product as described in these instructions will void the manufacturer's warranty and may cause fire, injury or even death. Keep these instructions for future reference.

Each vent system must be properly designed and installed to enable optimal performance and safety. Refer to the appliance manufacturer's instructions to determine the requirements and limitations with respect to installation and use of the appliance. It is the responsibility of the installer to contact local building and fire officials concerning any installation restrictions or inspection requirements that may apply when not specified in the appliance instruction manual.

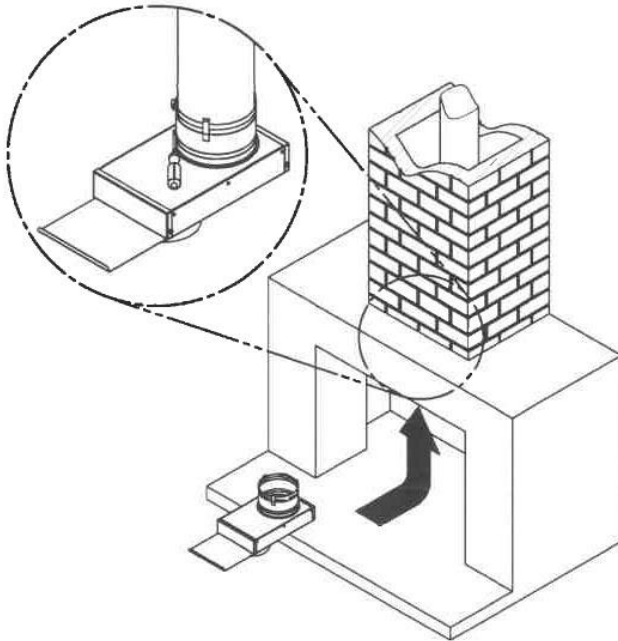
It is not recommended to add any other offset when installing this adapter. Doing so could influence the draft significantly and reduce the efficiency of your appliance. The chimney system should have as little restriction as possible. Once the installation is completed, your chimney should have a minimum height of 15 feet (4.5 m). Note that in order to ensure optimal draft, it is possible that you will need to add some extra lengths to your chimney.

Dimensions of the Liner Offset Adapter:**Install the offset adapter to the liner:**

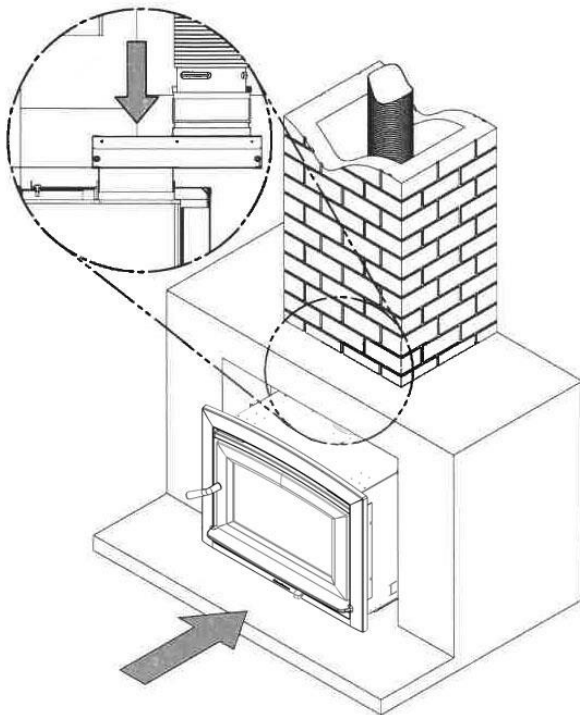
1. Install the liner in the chimney.



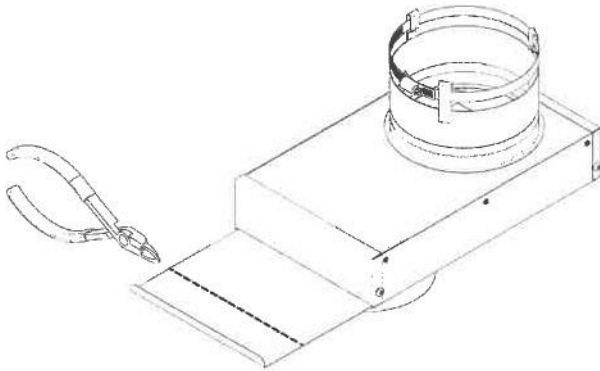
2. Connect the liner to the liner offset adapter using a flat screwdriver and the clamping ring provided with the liner.



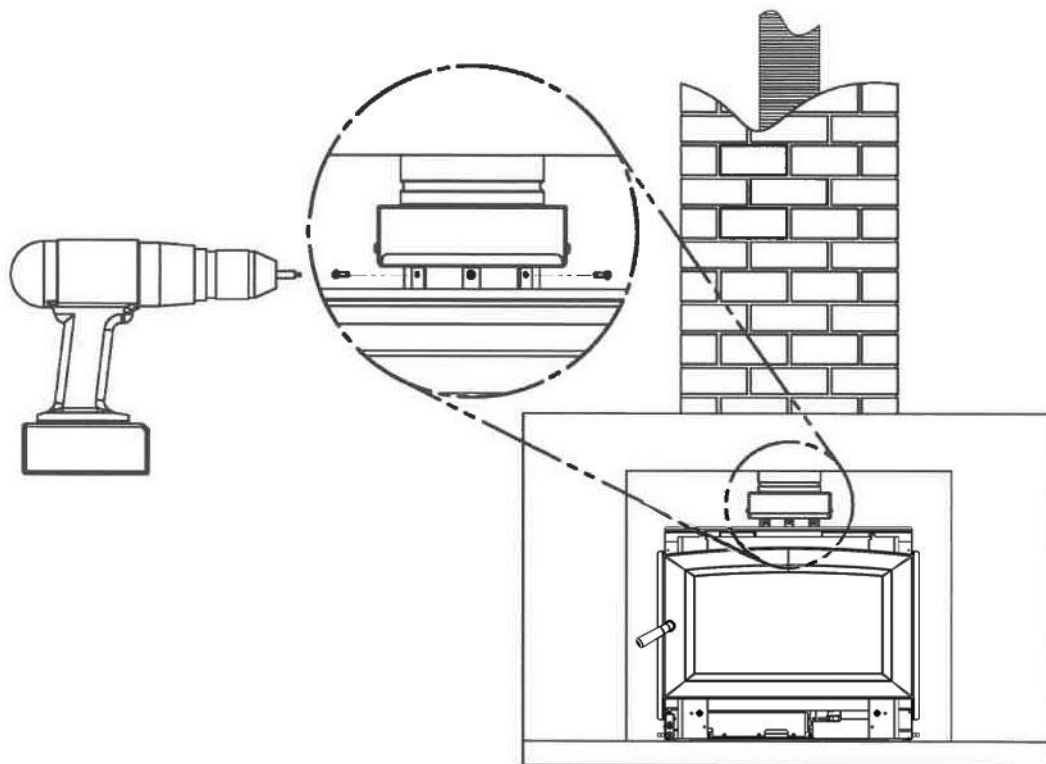
3. Install the insert in the fireplace. Refer to the owner's manual.
4. Connect the liner offset adapter to the flue collar of the insert. Slide the lower collar in the offset adapter until it lines up with the flue of the insert.



5. If the front edge of the liner offset adapter interferes with the installation of the front casting, you may cut off the excess material using tin snips.



6. Secure the liner offset adapter to the unit using 3 self-tapping screws (included with the insert)



7. Finish the installation of the insert.

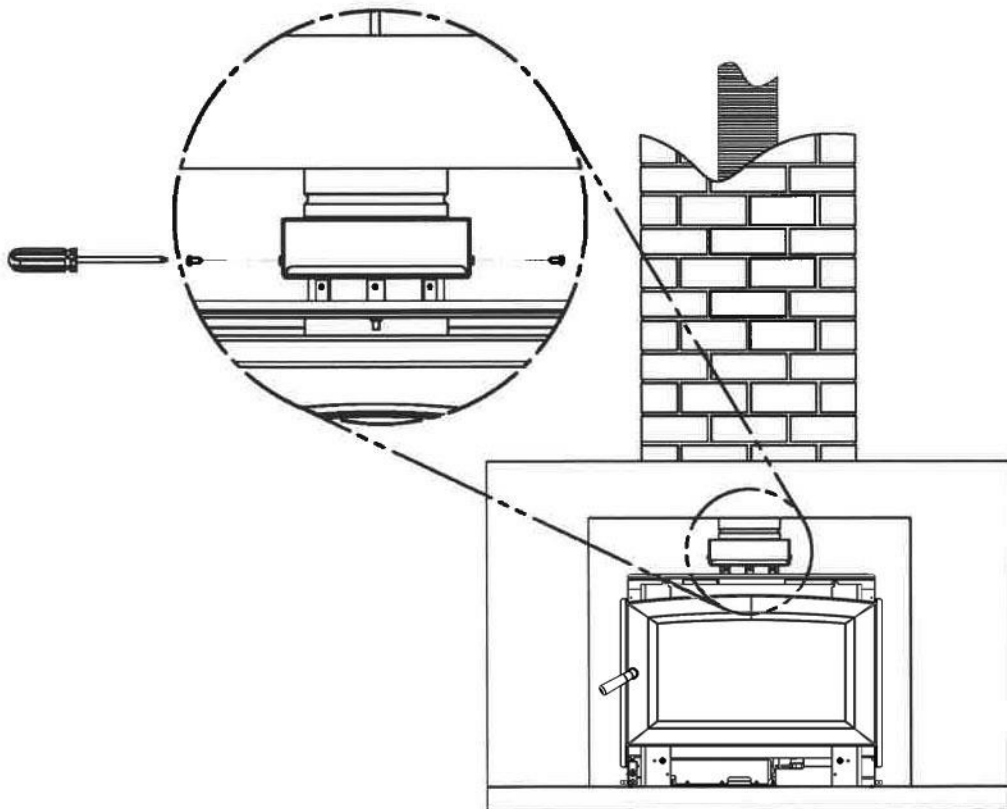
Cleaning the Liner Offset Adapter

WARNING

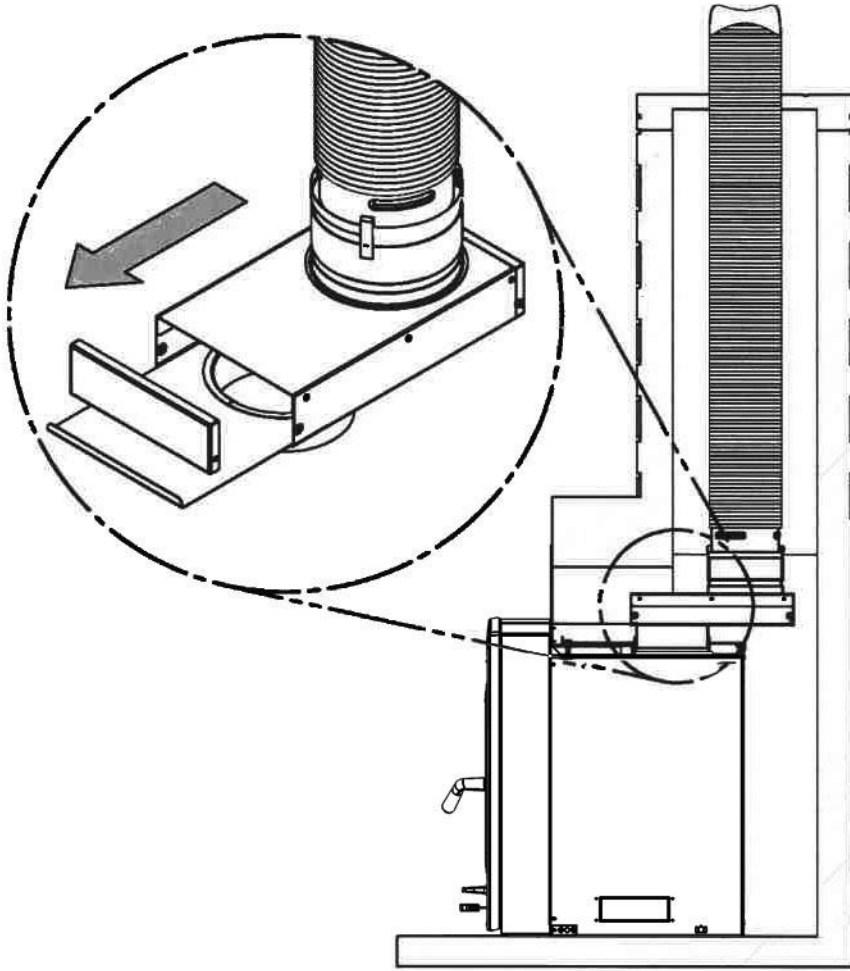
It is important to keep this adapter free from any buildup or restriction. Failure to do so may result in improper draft, smoke spillage, creosote buildup and risk of a chimney fire. Inspect and clean the chimney frequently. Under certain conditions of use, creosote buildup may occur rapidly.

Once you have your chimney swept, you should clean the inside of the liner offset adapter following these steps:

1. Remove the front casting from the front of your heating appliance in order to access the liner offset adapter.
2. Remove the screws on each side of the cover using a Robertson screwdriver.



3. Remove the cover and proceed to clean the inside of the adapter.



4. Once cleaning is completed, close the cover and reinstall the 2 screws on each side of the cover using the Robertson screwdriver.
5. Install the front casting removed in step 1.