

# Technical Data Sheet

## Installation of the Castleton outside air kit *Assembly 90-53300*

**Date:** 4/12/2013

**Page:** 1 of 2

### INCLUDED IN KIT:

- (1) Outside Air Box (5903-005)
- (4) 10-24 x 3/8" Screws (4500-3436)

### TOOLS REQUIRED:

- #2 Phillips Screwdriver (stubby)
- Pair of Work Gloves

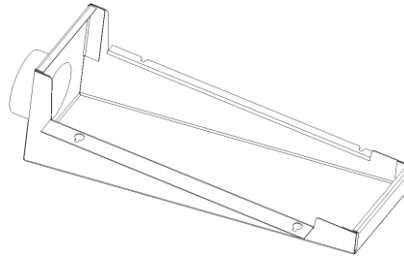


Figure 1 – Outside Air Box

### MATERIALS REQUIRED (Not supplied with this kit):

- (1) 3" Flex Pipe
- (2) Hose Clamps
- (1) Termination Hood w/ Screen

**BEFORE YOU BEGIN:** Work on a cool stove. You will need to access the bottom rear of the unit. Identify the assembly pieces listed above. Note: The 3" flex pipe, hose clamps, and termination hood are not provided with this kit, but are necessary to connect the outside air box to the outside air source. A 3" to 4" adaptor is available if needed (pt# 90-53308).

### **PROCEDURE:**

1. Locate the four holes in the bottom of the heatshield (Refer to figure 2).
2. Install the screws using the Phillips screwdriver, driving each in only half way.
3. Orientate the outside air box to match the position shown in figure 2.

4. Push the outside air box up to the bottom heatshield making sure the Phillips head screws protrude through the large diameter opening in the outside air box. When the box is tight against the bottom heatshield push it toward the left of the unit (viewed from the back), sliding the Phillips screws into the smaller diameter opening (Refer to figure 2).
5. Tighten the screws using the Phillips screwdriver until the outside air box is tight against the bottom casting.
6. Connect the outside air box to the 3" flex pipe and outside air supply. The outside air box installation is now complete.

**Note:** When considering placement of the duct from the outside of the house to the hearth, keep in mind the need to avoid structural members of the house. The termination of the duct on the outside wall should be located in such a manner as to preclude the possibility of obstruction by snow, leaves, or other materials. The outside termination should be screened with a  $\frac{1}{4}$ " x  $\frac{1}{4}$ " mesh rodent screen and be covered by a rain/wind proof hood.

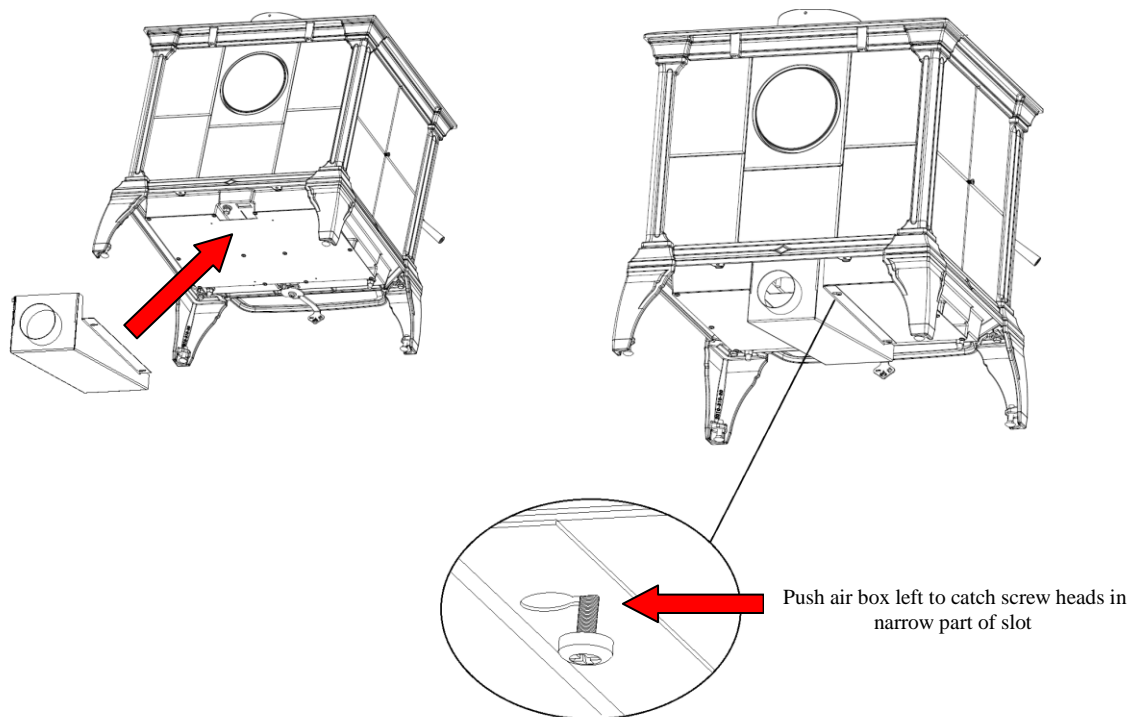


Figure 2 – Mounting Outside Air Box