

Technical Data Sheet

Installation of the Equinox Model 8000 Rear Heat Shield *Assembly 90-68000*

Publish date: 01/07/2008

ASSEMBLY CONTENTS:

- (1) 5900-100 Heat Shield
- (2) 5900-115 Heat Shield Bracket
- (1) 5900-105 Heat Shield Filler Lower
- (1) 5900-110 Heat Shield Filler Upper
- (2) 4500-3435 8-32 x 3/8" Screws
- (4) 4500-3436 10-24 x 3/8" Screws
- (4) 4500-0540 1/4-20x3/8 Screws

TOOLS REQUIRED:

Phillips Screwdriver (Stubby)

INSTALLATION PROCEDURE:

1. Install the heat shield mounting brackets - locate the screw holes under the rear edge of the stove's top and bottom castings. Install two of the 1/4-20 screws in the bottom casting – threading them in only about two turns (see Figure 2). Place the brackets on the stove with the larger hooked portion of the brackets extending upwards as shown in figure 2. Hook the bottom slots on the brackets over the previously installed bottom screws. Line the brackets up with the threaded holes on the rear top of the stove, and use the remaining two 1/4-20 screws provided to secure the brackets to the stove. Tighten all four screws.
2. Place the 4 screws (10-24 x 3/8") into the upper portion of the brackets leaving them loose enough to slide the heat shield over them. If you are attaching a blower - this is the best time to do it (see instructions included with blower).

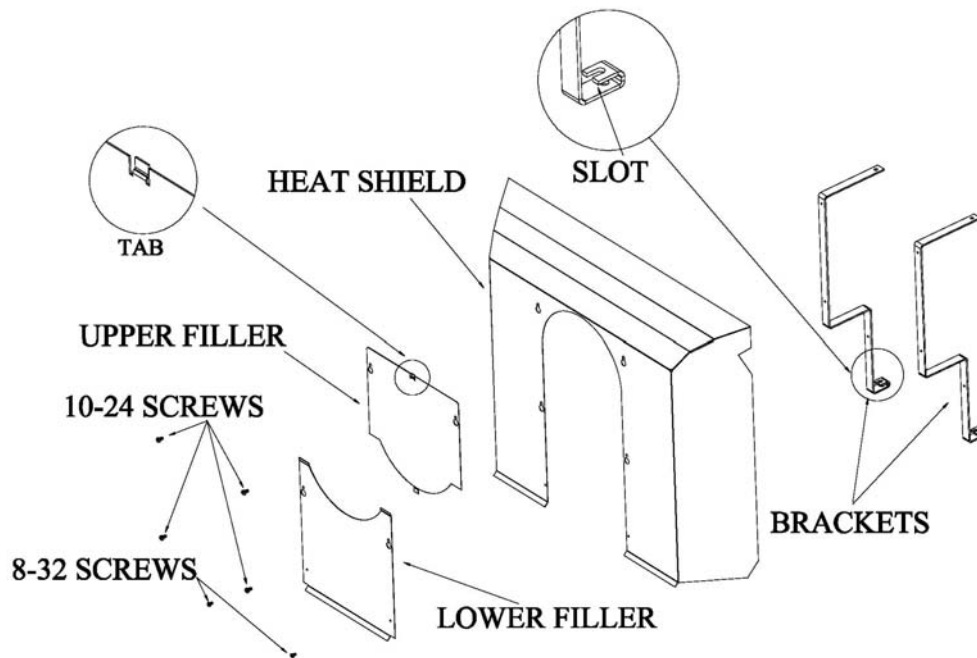


FIGURE 1 – Heat Shield Kit Components

🔥 Note: If your stove is installed with the rear exit flue configuration - skip to step 4.

- 3) If the rear heat shield filler plates (see Figure 1) are not attached to the rear heat shield, do so now. Align the keyholes in the upper filler plate with the upper keyholes on the heat shield and slip the top tab under the rounded top edge of the heat shield opening. Align the keyholes in the lower filler plate with the lower keyholes in the heat shield, and at the same time slip the lower tab from the upper filler plate over the lower filler and install the two 8-32 screws into the lower two holes on the lower filler plate to secure both filler plates to the heat shield (do not lift by the filler plates).

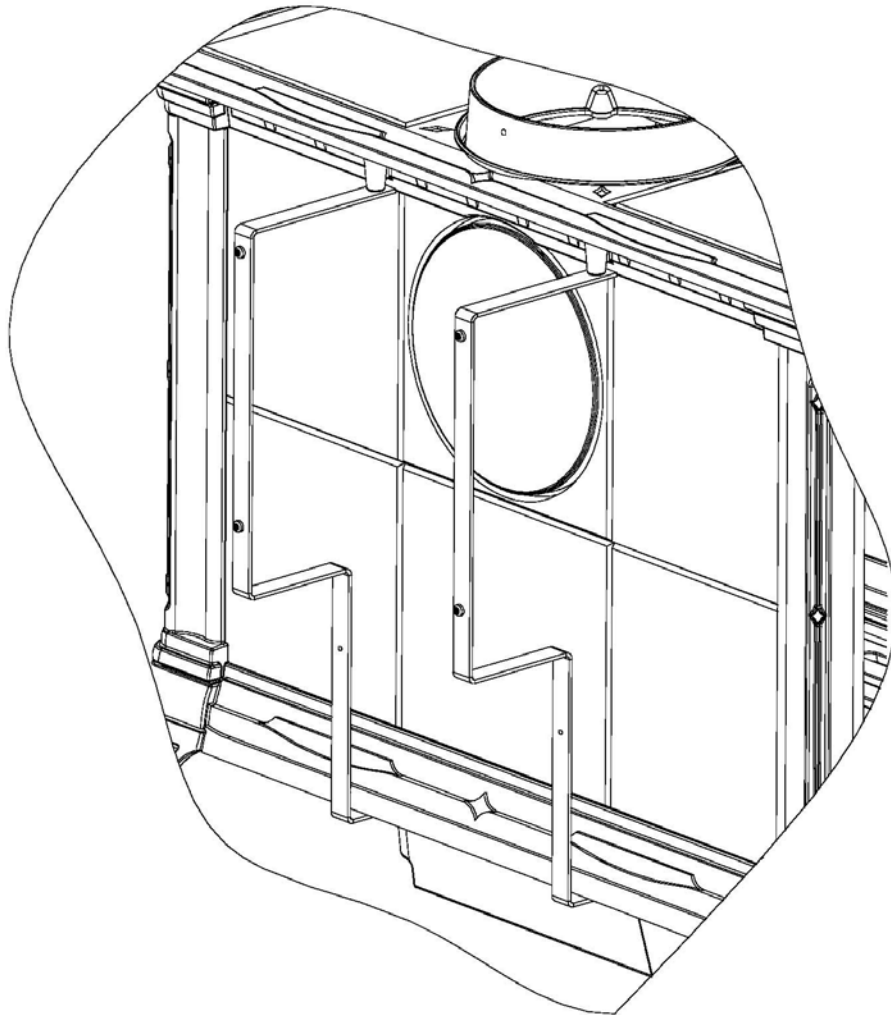


FIGURE 2 – Bracket Mounting Detail

🔥 Note: If you are using a rear exit configuration, and it is not yet installed, this is a good time to install the first pipe section onto the stove. This allows access to the connector pipe screws at the flue collar before installation of the heat shield. You can install the heat shield over an existing connector pipe without the lower filler plate attached to the heat shield (see step 4).

- 4) If the stove is set up for rear exit, and the connector pipe is already installed, slide the heat shield over the pipe without the fillers and then install only the lower filler.
- 5) To attach only the lower filler when the rear exit pipe is installed, hold the lower plate up to the heat shield and slip it over the two lower 10-24 screws in the lower key holes. Now install the two 8-32 screws into the two small bottom holes in the lower filler plate to join the filler to the heat shield.

- 6) After the heat shield is mounted on the stove, ensure you tighten up all the outer screws (see *Figure 3*).

**TIGHTEN THESE SCREWS
AFTER INSTALLATION**

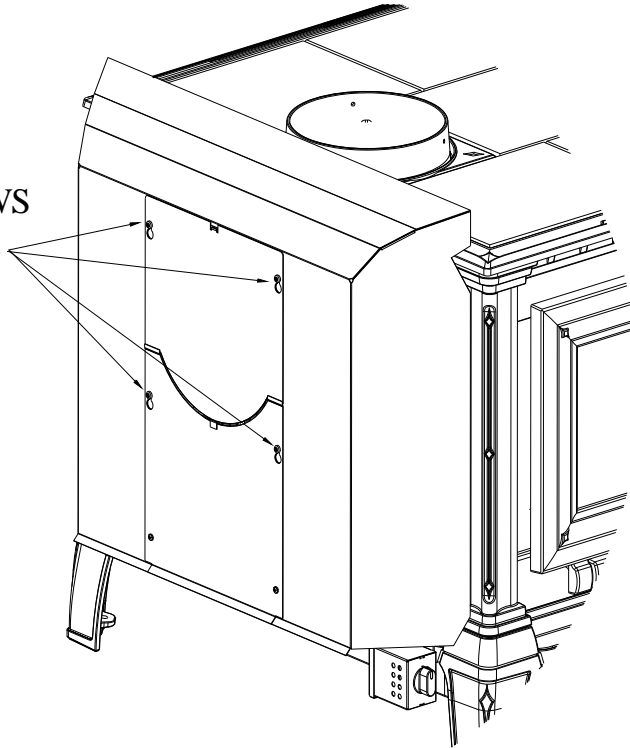


FIGURE 3