

Technical Data Sheet

Castleton 8031 **Air Control Handle Replacement Instructions** **Assembly 90-71312** **For front door, side door, and ash pan door handles**

INCLUDED IN KIT:

- (1) 3900-182 - Wood Handle
- (1) 4200-0200 - Nut, 1/4-20
- (1) 4500-1574 - Handle Screw
- (1) 4600-0400 - Split Washer
- (1) 5031-032 - Air Control Handle

TOOLS REQUIRED:

- Pair of Work Gloves
- 5/32" Allen Wrench
- Flat Head Screwdriver

BEFORE YOU BEGIN: *Always work on a cool stove.* Read the instructions thoroughly before starting the repair. Identify all parts included in the kit. Report any shortages to your dealer.

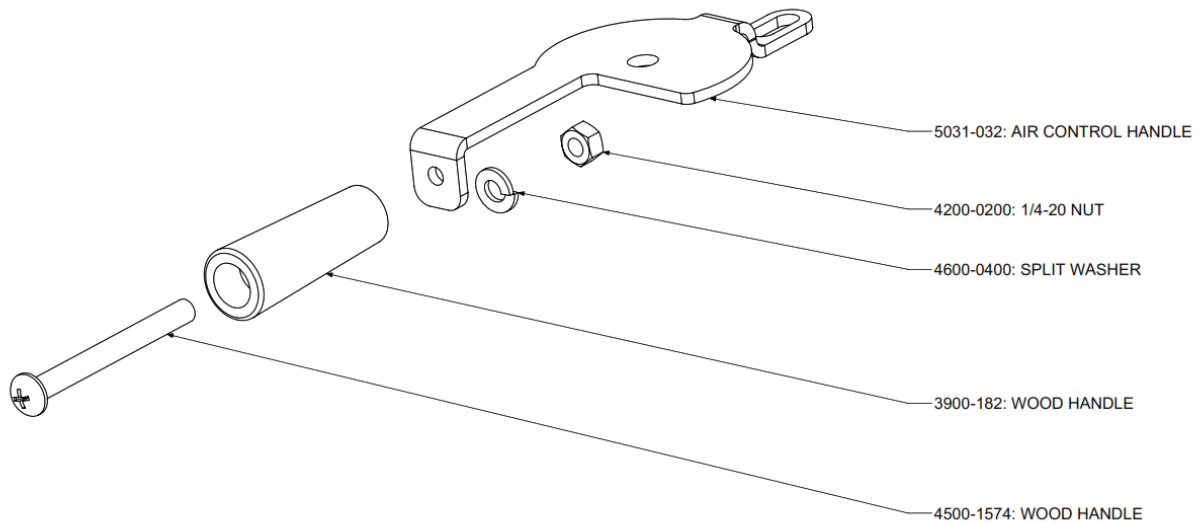


Figure 1: Handle Components

- (1) Use the allen wrench to turn out the screw that holds the steel air control handle to the stove. Reserve all fasteners.
- (2) Thread washers and screw through new wooden handle and attach to new steel air control handle as shown in Figure 1.
- (3) Using reserved fasteners, install new air control handle assembly, making sure to capture air control slide post in slot as shown in Figure 2.