

Technical Data Sheet

90-73213 Side Door Latch Upgrade

Heritage I 8021

Date: January 31, 2008

MATERIALS REQUIRED:

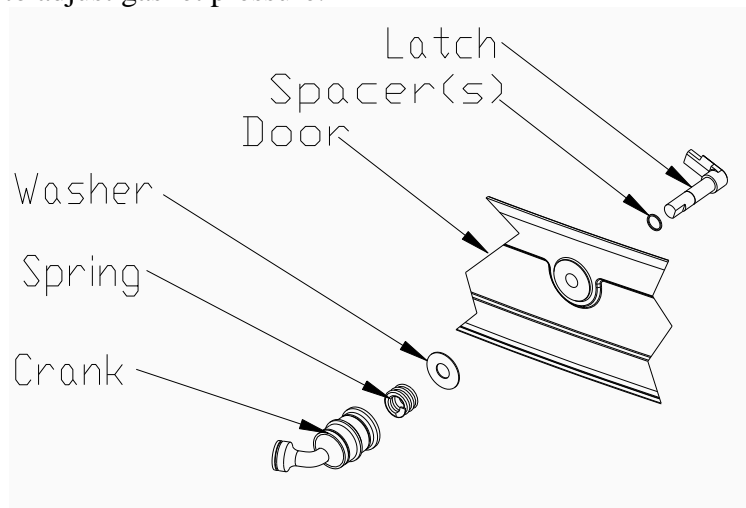
Latch (5021-023)
Crank (5010-081)
Spring (5240-138)
Washer (5021-032)
Setscrew (4500-2976)
Spacer (4700-0790), 4 each

TOOLS REQUIRED:

5/32" Allen wrench

PROCEDURE:

- 1) Remove and discard the old door latch assembly by loosening the setscrew with the allen wrench.
- 2) Install the new latch assembly as shown below. Start out with two brass spacer washers on the inside of the door. Thread the outer chrome crank (with the coil and large washer placed on the latch shaft as shown) onto the latch. Turn the crank until there is approximately 1/8" between the crank and the door.
- 3) Align the setscrew hole in the crank with the groove in the latch shaft and insert and tighten the set screw (the half dog tab will fit into the groove on the latch).
- 4) Check door seals using the "dollar bill test." Close the door on a dollar bill. If the bill pulls out without any resistance, then your stove's door is not sealing properly. Add or remove spacers to adjust gasket pressure.



HearthStone Quality Home Heating Products, Inc.

www.hearthstonestoves.com