



Technical Data Sheet

Installation of the Blower on the Santa Fe 8761, Champlain 8301, Tucson DV 8701, and the Stowe 8321 Model Gas Stoves *(Includes Tucson Mounting Bracket Instructions – See Step 7)* *Kit Number 93-57010*

IMPORTANT NOTE: Use this kit on any of the stove models listed above. Do not use it on the previous versions of these models: Santa Fe 8760, Champlain 8300, Tucson DV 8700, or the Stowe 8320.

Publish Date: 6/4/2004

KIT CONTENTS:

- (1) Blower Assembly
- (1) Hanger Mount (5930-125)

TOOLS REQUIRED:

Cross-tip Screwdriver

Zip Bag Contents:

- (1) Control Knob (7200-602)
- (1) L-Bracket (5930-120)

Note: *The following are attached to the blower assembly: Power Cord, Snap Switch Connectors with Shield Cover, and Rheostat (See Photo # 1 – Blower Assembly).*

ELECTRICAL GROUNDING INSTRUCTIONS:

This blower is equipped with a three-pronged (grounding) plug for your protection against shock hazard and should only be plugged into a properly grounded three-prong receptacle. Do not cut or remove the grounding prong from the plug.

BEFORE YOU BEGIN:

The blower housing is expandable to allow it to fit all of the above listed Direct-Vent Stoves. Adjust the blower to fit the desired stove model as follows:

Champlain or Santa Fe – Loosen the three cross-tip screws on the fan housing (one on the top and two on the front) and expand the housing as far as it will go. Lock it in this position by retightening the screws.

Tucson or Stowe - Loosen the three cross-tip screws on the fan housing (one on the top and two on the front) and slide the housing together as far as it will go. Lock it in this position by retightening the screws.



Photo # 1 – Blower Assembly (some parts left unpainted to show detail)

PROCEDURE:

1. *Installation of the hanger mount to the bottom of the stove:* Locate the two 10-24 cross-tip screws (see illustration 1) on the bottom of the stove that will attach the hanger mount to the stove bottom. Loosen, but do not remove these screws. Properly position the hanger mount for the stove you are working on (see photos # 2 and #3) and secure it by retightening the screws.

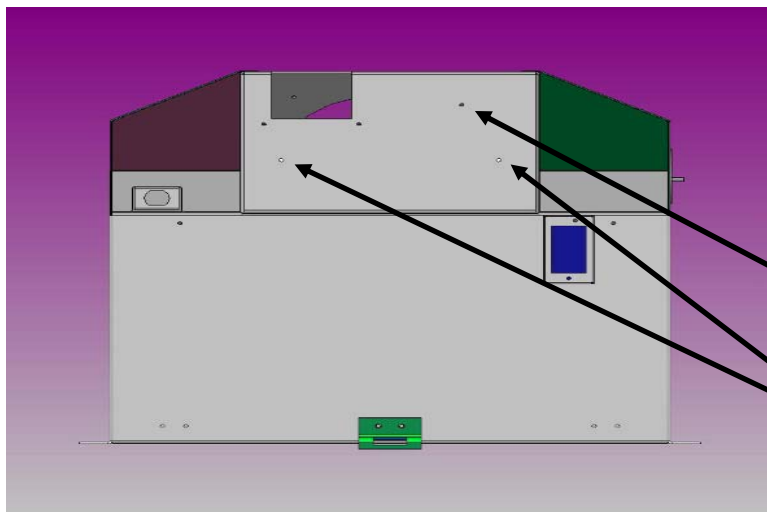


Illustration #1 – Santa Fe / Champlain Stove Bottom is shown. Tucson and Stowe have the hole for the 8-32 screw on the back of the firebox.

#8-32 L-BRACKET SCREW

#10-24 HANGER BRACKET SCREWS



Photo #2 – Hanger mount slots are positioned for the Tucson or Stowe (slots forward) and L-Bracket is installed for the Tucson (screwed to forward hole- rear hole can be seen behind the L-Bracket). Blower housing is compressed for the Tucson & Stowe models.

Photo #3 – The hanger mount slots are positioned for the Tucson or Stowe (slots forward) and L-Bracket is installed for Stowe (screwed to rear hole). Blower housing compressed for the Stowe & Tucson models.

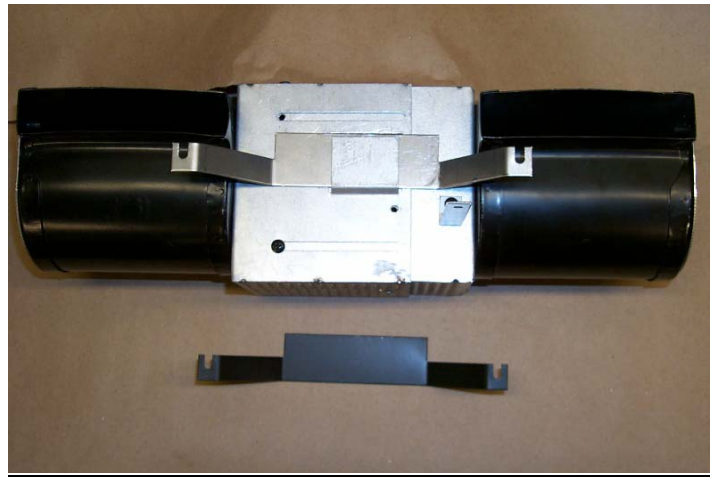


Photo #4 – Hanger mount slots are positioned for the Champlain or Santa Fe (slots facing back) and L-Bracket attached to blower housing. Blower housing is expanded for the Champlain & Santa Fe models



2. *Installation of the L-Bracket:* Custom install the L-Bracket (see photos 2, 3, & 4) to fit the stove model. Secure it to the underside of the stove for the Santa Fe or Champlain (illustration 4) or to the proper location on the blower housing for the Tucson (illustration 2) or Stowe (illustration 3).
3. *Position the blower:* Place the blower behind the stove. Push the rheostat box under the stove toward the front of the unit. Place the cord with the two red connectors and metal cover to so that it is near the snap switch.
4. *Secure the blower to the stove bottom:* Slide the tab located on the top of the blower onto the hanger mount and lock the blower into place by fastening the L-Bracket to the stove bottom or blower (see photos 2, 3, & 4).
5. *Connect the blower to the snap switch:* Locate the snap switch that has been installed on the stove at the factory. Facing the Champlain or Santa Fe, the switch is in the right rear bottom of the stove; facing the Tucson or Stowe, the switch is in the left rear bottom of the stove. **NOTE:** To gain access to the snap switch on the Champlain or Santa Fe models, first remove the access panel (three cross-tip screws) located on the back of the stove that is covering the switch. Access the switch on the Tucson and Stowe from underneath the back of the stove. **IMPORTANT:** Attach the two female connectors to the spade connectors on the temperature sensing snap switch as shown in photo #5. When properly installed, the connectors will slide together easily. Forcing them in an opposite direction will break the spade connectors. Place the protective shield (illustration 5) over the snap switch as illustrated in Photo # 6, rotate it to slip under the screws and secure it with the two screws.

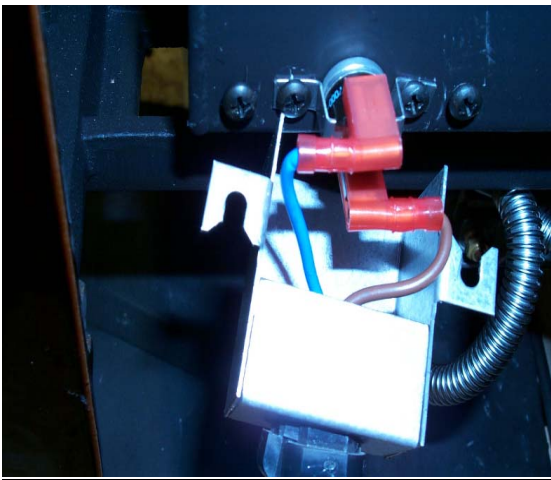


Photo #5 – Proper installation of the connectors on to the snap switch.

Photo #6 – Install the cover over the snap switch. Position as shown, rotate so slots are behind the screws, and secure by tightening the two screws with a cross-tip screwdriver.



6. *Install the rheostat (speed control):* Moving to the front of the stove, locate the bracket that holds the piezo ignitor (See step 7 on the following page if you are installing the blower on a Tucson*). Pull the rheostat box forward and attach it to the piezo bracket by sliding the tab on the box into the piezo bracket. Align the holes in the 2 pieces and secure them with the 8-32 screw provided. **NOTE:** removing the nut on the back of the piezo ignitor so the piezo can be pulled out of the way can increase access to the screw hole. When the rheostat is installed, place the fan control knob onto the stem extending from the rheostat.

BLOWER OPERATION: The blower will not run until the stove heats up and activates the snap switch. Turn the rheostat control knob clockwise to turn the blower on. The blower will be on high when the knob is first turned on. To lower the blower speed, continue to turn the knob clockwise.

***NOTE:** Use the Following Instructions on the Tucson DV 8701 only if required.

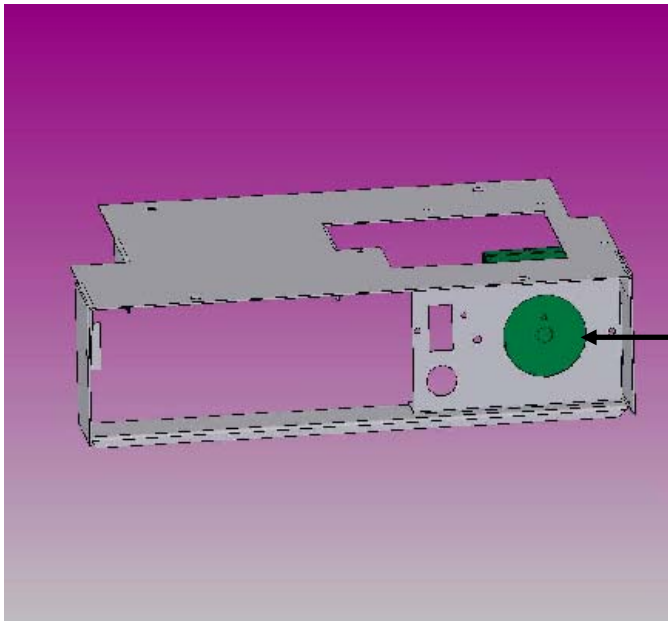


Illustration #2
Use provided bracket (see step 7) if the Tucson has the round rheostat opening as shown.

🔥 IMPORTANT NOTE: Use the provided Rheostat Mounting Bracket only on the Tucson DV 8701 with the specific bracket depicted above already installed (note the round opening for the rheostat knob in the illustration above). If your Tucson has a rectangular opening here, the new mounting bracket is already built into the larger valve bracket.

Installing the Rheostat Mount Bracket 5710-030

Use on Tucson 8701 DV Blower #93-57010

MATERIALS REQUIRED:

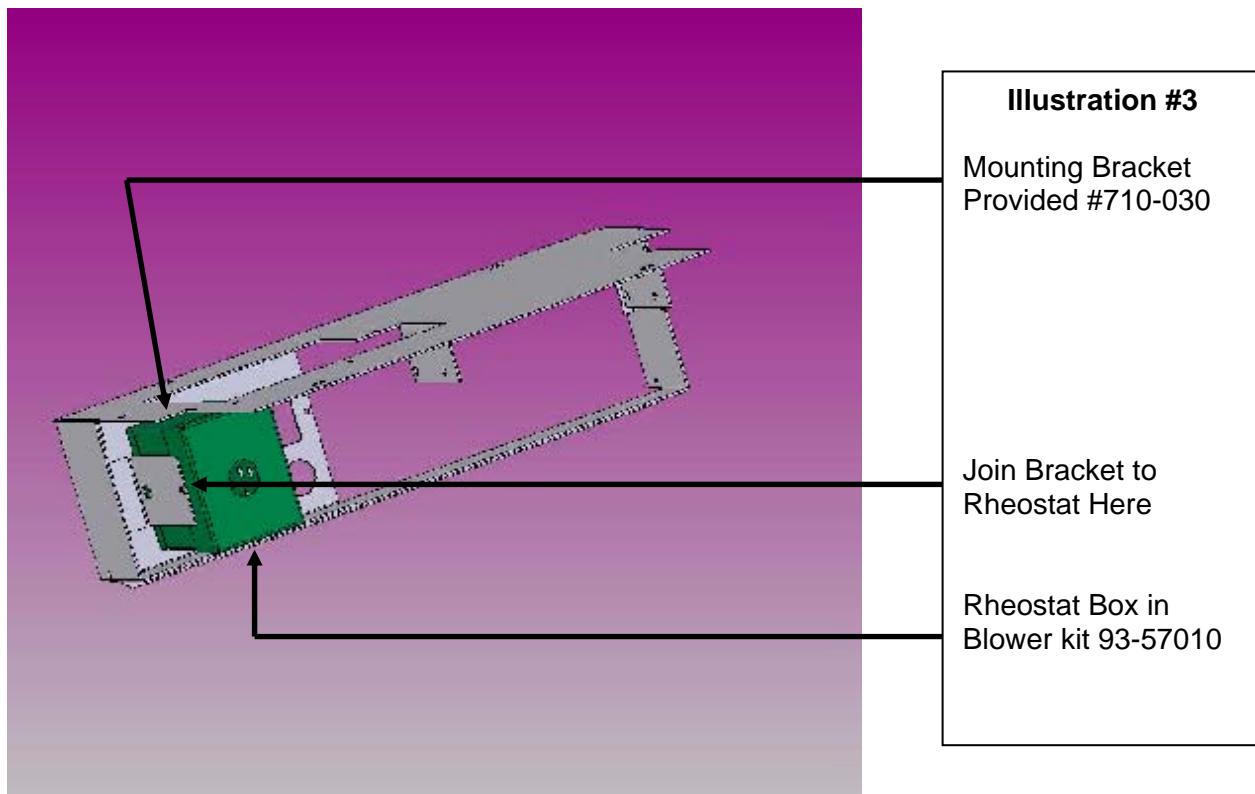
5710-030 Tucson Rheostat Mount Bracket

TOOLS REQUIRED:

Cross-tip Screwdriver

PROCEDURE:

7. Use this mounting bracket to hold the rheostat box to the valve bracket with the round opening on the Tucson DV model 8701. Slide the mounting bracket over the tab on the rheostat box until the holes line up on the side of each piece. Secure the mounting bracket to the rheostat by turning in the screw provided. Place the rheostat box and mounting bracket into the valve bracket as shown in illustration number one. Secure it in place by turning in the second screw from the front as shown in illustration number two.



Tucson Valve Bracket – Rear View

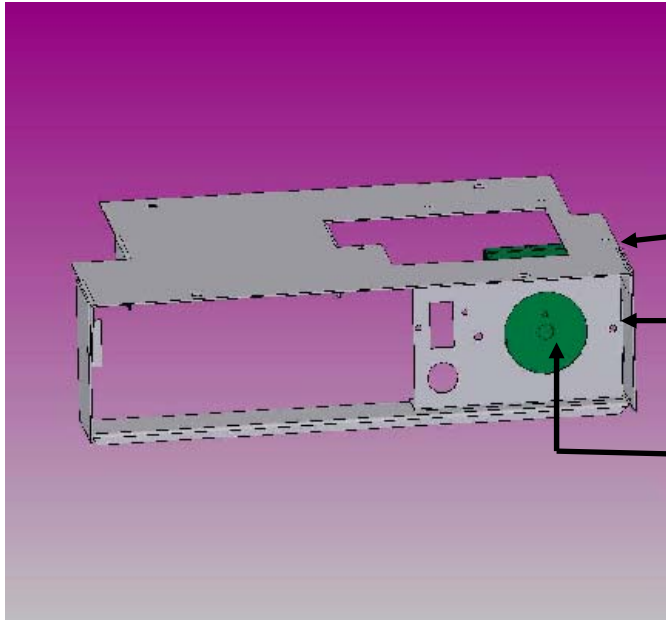


Illustration #4

Valve Bracket – Front View

Mount Rheostat Box and Mounting Bracket w/ Screw Here

Rheostat – Front View (Installed)

🔥 IMPORTANT NOTE: Use the provided Rheostat Mounting Bracket only on the Tucson DV 8701 with the specific bracket depicted above already installed (note the round opening for the rheostat knob in the illustration above). If your Tucson has a rectangular opening here, the new mounting bracket is already built into the larger valve bracket.