

## Technical Data Sheet

### WFP 100 Model 8420 – Installation of the Fresh Air Connector Kit

*Kit Number 94-53205*

#### KIT INCLUDES:

5700-910: Insulated Flex Pipe (5" X 25')  
5942-003: Air Intake Termination Cap (includes 2 clamps)

#### TOOLS REQUIRED:

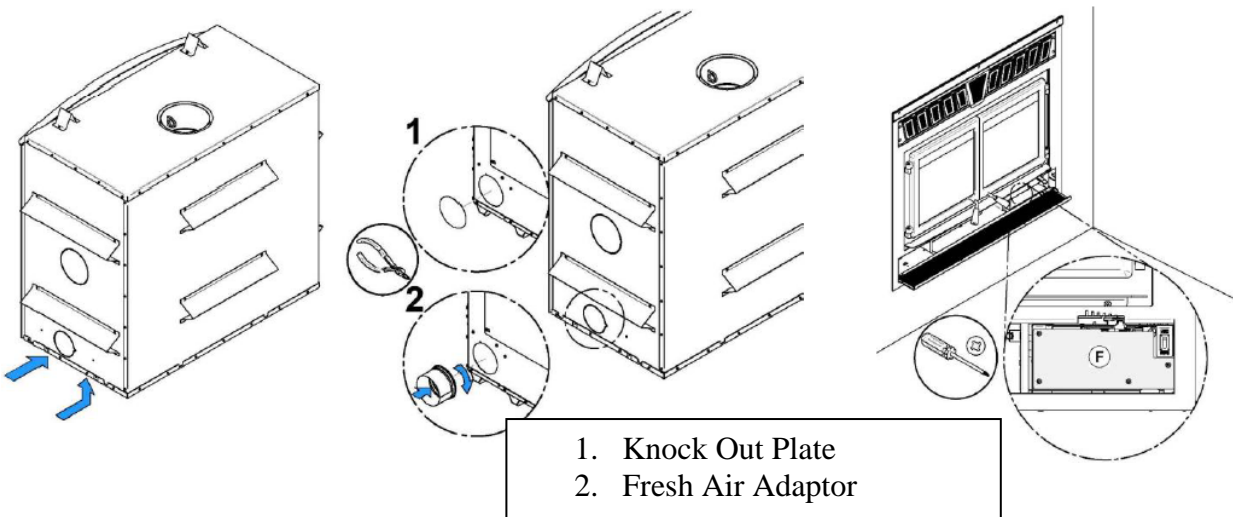
Pair of Work Gloves  
Jig Saw or Hole Saw (5-1/8")  
Phillips Screwdriver  
Pliers  
Aluminum Tape

**BEFORE YOU BEGIN:** *Always work on a cool stove.* Read the instructions completely through before starting the installation.

**IMPORTANT:** Locate and avoid all utility lines (gas lines, water pipes, and electrical wires) before cutting or drilling the hole for the outside air pipe to pass through.

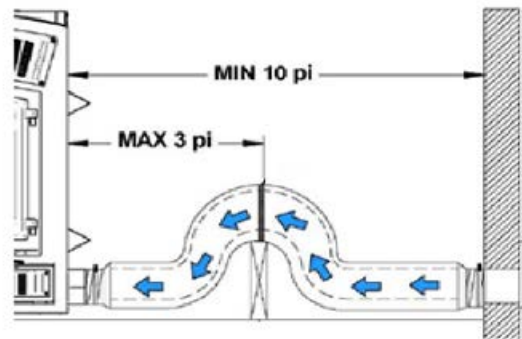
#### PROCEDURE:

- (1) Install the fresh air intake adaptor included with the fireplace to the insert. To do this, remove the knock-out plate on the right side of the fireplace (as shown below). You can now install the 5" adaptor. Align the notch on the adaptor with the one on the fireplace and turn clockwise.

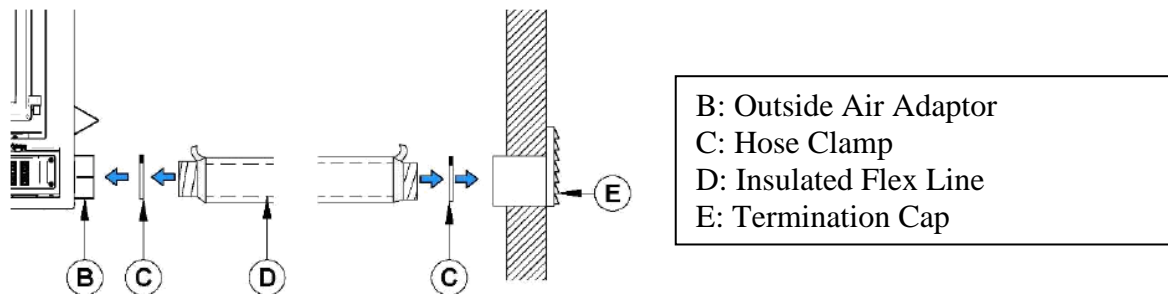


- (2) Open the lower access door on the front of the fireplace and install the blocking (provided with the stove) over the original air intake opening. Secure the blocking plate by turning in the four screws with the phillips screwdriver (see illustration above for plate location).

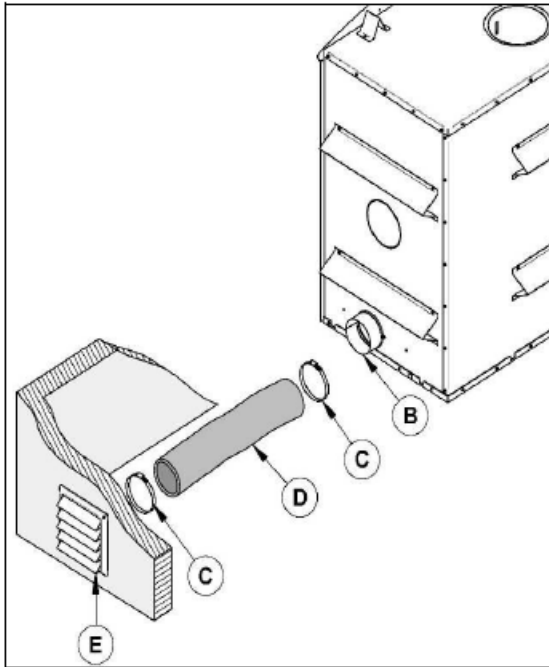
- (3) When choosing the location for the termination cap, keep the following in mind:
- It must not be installed at more than 50% of the total height of the chimney
  - It must not be installed at more than 10 feet above the base of fireplace
  - It must not be installed at more than 3 feet below the base of the fireplace
  - It must be installed so that the fresh air will come from outside the house. The air cannot be drawn from the attic, basement, or from a garage.
  - It should be installed in a location where it will not be blocked by leaves or snow accumulation.
  - It should not be exposed to extreme wind.
  - It should not be installed where it will be exposed to automobile exhaust, gas meters, or other vents.
  - To avoid rust and condensation it is recommended to install the liner with a “p-trap” (as shown below).



- (4) Using the jig saw or hole saw, cut the opening in the outside wall to install the air intake cap. The hole will need to be just slightly larger than the 5 inch diameter of the connector pipe. Slide the termination cap through the hole in the wall as shown below. Secure the termination to the outside wall with screws.



- (5) Measure the distance from the intake on the fireplace to termination cap – including the length needed for the p-trap. Cut the pipe to the desired length.
- (6) Place the insulated pipe over the wall termination cap and the outside air adaptor. At each end, carefully pull back a small portion of the insulation to expose the flexible pipe. Secure to each end using a hose clamp.
- (7) To obtain a better seal, use aluminum tape to wrap each end.



**Fresh Air Components**

B: Fresh Air Adaptor (included with stove)

C: Hose Clamps (2 in kit)

D: Insulated Flex Pipe 5" X 25' (in kit)

E: Termination Cap (in kit)