



## Technical Data Sheet

### Clydesdale 8490 Glass Replacement Kit

Part 94-58905

Publish Date: 3/9/2016

#### **INCLUDED IN KIT:**

- 3030-041: Glass Ceramic (1)
- 3160-080:  $\frac{3}{4}$ " Gasket Tape (6 ft.)
- 4500-3440: Screws 8-32 x  $\frac{1}{2}$ " (8)

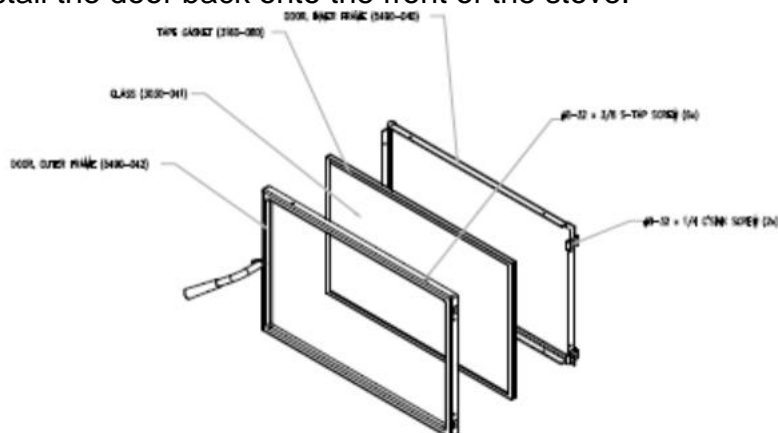
#### **TOOLS REQUIRED:**

- Phillips Screwdriver
- Scissors
- Work Gloves
- Penetrating Oil

**BEFORE YOU BEGIN:** Mark sure the fire is out and the stove is cool to the touch.

#### **PROCEDURE:**

1. Remove the door by removing the top hinge screw and lifting the door straight up and off of the bottom hinge.
2. Place the door face down on flat smooth surface.
3. Apply penetrating oil (we recommend P B Blaster) to the screws in the door. After a few minutes, remove the screws with the phillips screwdriver.
4. While wearing work gloves, carefully separate the inner and outer portions of the frame and remove the old glass and gasket. Discard the original glass.
5. Wrap the outer edge of the new glass with the  $\frac{3}{4}$ " flat gasket. Pull a short section of the paper backing off the tape and apply the gasket to the glass, overlapping the front and back of the glass. Continue until the tape is completely around the glass.
6. Place the glass between the inner and outer door frames. Line up the holes and turn in the new screws. Loosely at first, then tighten them to complete the installation of the glass.
7. Install the door back onto the front of the stove.



©Hearthstone Quality Home Heating Products, Inc.  
[www.hearthstonestoves.com](http://www.hearthstonestoves.com)