

Technical Data Sheet

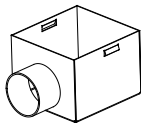
Installation of the Homestead outside air kit

Assembly 95-53700

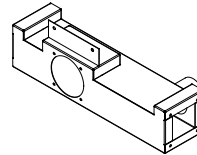
Publish Date: 1/9/2002

Kit Contents:

(1) Outside Air Box-Front (5950-092)



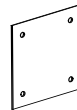
(1) Outside Air Box-Rear (5950-090)



(1) Flex Pipe -2" x 8 1/2" (5700-900)



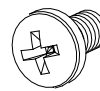
(2) Cover Plates (5950-026)



(1) Outside Air Intake (5950-027)



(1) #8-32 screw (4500-3435)
(14) #10-24 screw (4500-3436)



Additional Materials Required:

- (1) 3" Flex Pipe
- (2) Hose Clamps
- (1) Termination Hood w/ Screen

Tools Required:

- (1) #2 Phillips Screwdriver
- (1) Pair of Work Gloves

BEFORE YOU BEGIN: Work on a cool stove. You will need to access the bottom rear and the bottom left front of the unit. Identify the assembly pieces listed above.

Note: The 3" flex pipe, hose clamps, and termination hood are not provided with this kit, but are necessary to connect the outside air box to the outside air source.

Important: Before you install the outside air kit, determine where the 3" duct supplying the rear outside air box will originate. The duct can be attached either to the back, the left or the right sides of the rear outside air box by changing the position of the intake adaptor and blank cover plates. (Refer to figure 2)

If you intend to use the optional blower, you will not be able to use the rear inlet position on the rear outside air box. When installing the outside air kit in combination with the optional blower, the outside air must enter the rear outside air box from the left or right sides.

Procedure:

- 1) If your stove is equipped with a bottom heat shield, it must be removed for the installation of the kit. Locate the Phillips head screw at the right and left sides of the ash pan box. Remove the screws. The heat shield is now free to drop away from the unit.
- 2) Remove the ash lip from the unit. Locate the primary air control slider on the left side of the ash pan. Attach the 2" flex tube to the front outside air box (Gloves are recommended when handling the tubing). Slide the box and the tube under the left front corner of the unit with the open portion of the box facing up and the 2" flex tube extending back under the stove. Place the box between the two slotted side tabs and just behind the solid front tab. Push the box up firmly so that the small protruding wings on the side of the box snap into the slotted side tabs to hold the box in place.
Hint: Squeeze the sides of the front outside air box if needed to allow the wings to snap into the slotted tabs. If the wings do not snap into place, remove the box and use a flat screwdriver to pry them out slightly. (Refer to figure 1)

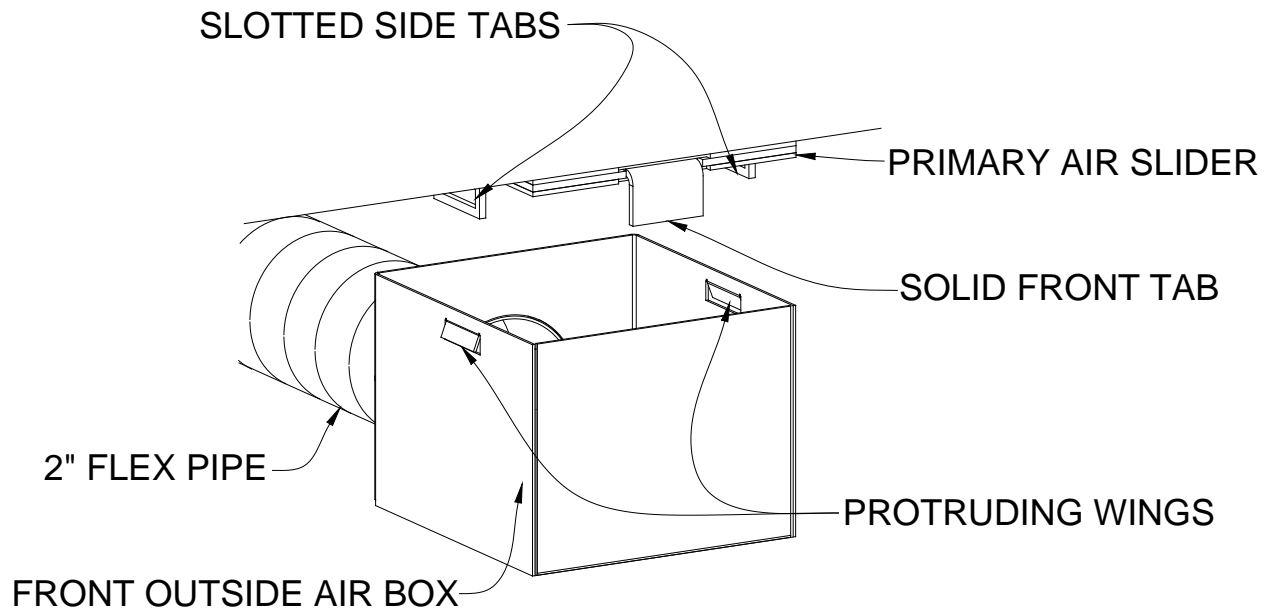


Figure 1 – Front Outside Air Box Detail

- 3) Attach the blank covers and outside air intake to the rear outside air box in the desired locations.
Note: If a blank cover will be attached to the rear opening location leave this piece off until the rear outside air box has been installed to the unit.(Refer to figure 2)

- 4) Slide the rear outside air box under the rear of the stove so that the 2" nozzle will meet the 2" flex pipe installed on the front outside air box and connect these two pieces. Now align the tab on the rear outside air box with the two screw holes in the rear lower center of the unit. Remove the factory-installed screws and place the tab flush to the back of the stove. Secure the box with the two 10-24 screws. Do not tighten these screws yet. Check to ensure the 2" flex pipe is snugly connected to the front and rear outside air boxes. (Refer to figure 2)

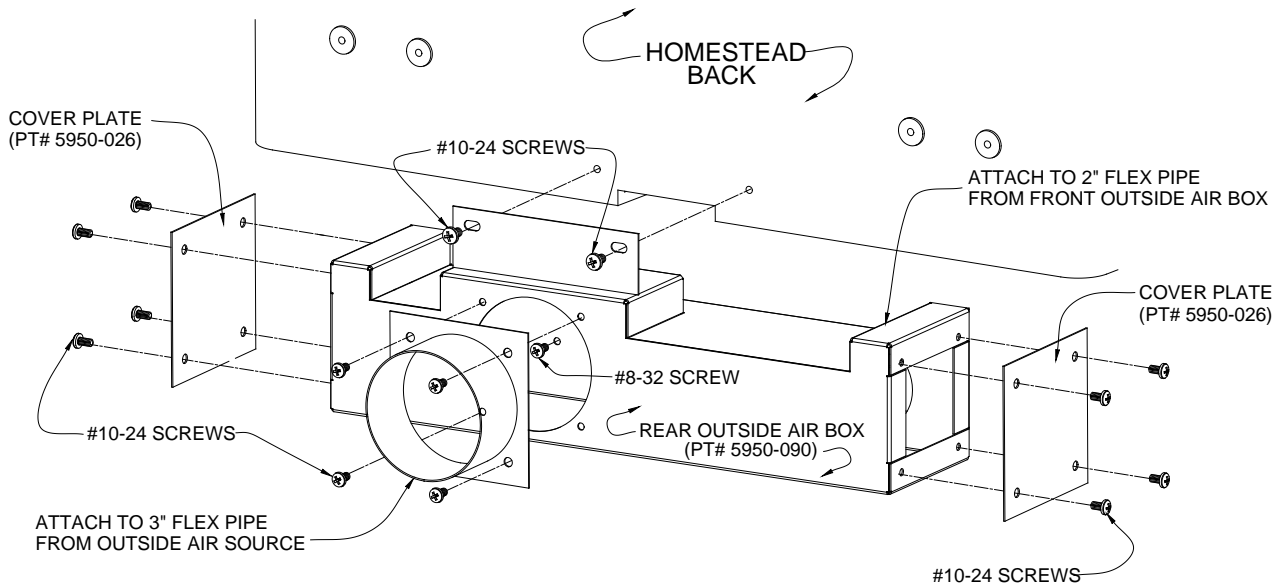


Figure 2 – Rear Outside Air Box Detail

- 5) Looking through the 3" opening in the rear of the air box align the hole in the back of the ash pan box with the hole in the rear air box and install the #8-32 screw to secure the rear air box to the ash pan box. Tighten all screws so the rear outside air box is held securely in place. (Refer to figure 2)
- 6) Attach bottom heat shield by reversing the steps in step 1.
- 7) Connect the outside air box to the 3" flex pipe and outside air supply. The outside air box installation is now complete.

Note: When considering placement of the duct from the outside of the house to the hearth, keep in mind the need to avoid wiring and structural members in the wall. Locate the termination of the duct on the outside wall in such a manner as to preclude the possibility of obstruction by snow, leaves, or other materials. Screen the outside termination with a ¼" x ¼" mesh rodent screen and cover with a rain/wind proof hood. **Inspect regularly!**