



Technical Data Sheet

Sterling "G" Direct-Vent Model 8531 Converting To LP
KIT #95-56917 (For Stoves With Serial Numbers Below 005766)

Page: 1 of 4

TOOLS REQUIRED

Phillips Screwdriver
Stubby Phillips Screwdriver
Slotted Screwdriver
#-10 Metric Wrench
1/2" Deep Socket or Wrench
7/16" Wrench
Straight Handled T20 Tamper Proof Torx
Manometer
Gas Leak Testing Device
3/4" Wrench (Or An Adjustable Wrench)

KIT COMPONENTS

1-LP Valve Conversion Kit
1-#55 Burner Orifice
1-#56 Burner Orifice
1-#35 Pilot Orifice
Instructions
LP Sticker (Red)

WARNING

This conversion kit must be installed by a qualified gas service agency in accordance with the manufacturer's instructions and all applicable codes and requirements of the authority having jurisdiction. If the information in these instructions is not followed exactly, a fire, explosion, or production of carbon monoxide may result causing property damage, personal injury, or loss of life. The qualified service agency performing this work assumes responsibility for the proper conversion of this appliance with this kit.

CAUTION: *The gas supply must be shut off prior to making this conversion. If the stove is equipped with the optional blower, the electricity must also be disconnected.*

PROCEDURE:

- 1) Remove the valve extension knobs from the front of the stove by pulling them straight out with your hand.
- 2) Remove the facade (the metal piece the extensions pass through) by removing the two phillips screws with a stubby screwdriver.
- 3) Locate the rear cover plate on the lower left hand side on the back of the stove. Remove it by removing the two phillips screws that hold it in place.

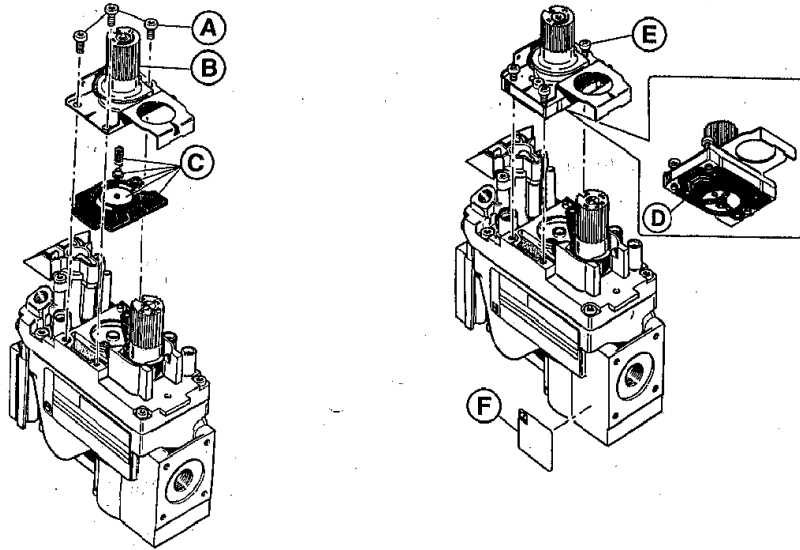
HearthStone Quality Home Heating Products

317 Stafford Ave., Morrisville, VT 05661, www.hearthstonestove.com

M:\Customer Service\Sterling DV G Series - 8531\Tech Docs\Tech Data Sheets\95-56917 Sterling Direct Vent Model 8531 NG to LP Conversion(Pre Top ConVertable).doc

- 4) This will expose the shutter adjustment rods and bracket. With a 7/16 wrench, loosen the bolt in the retaining bracket
- 5) Open the front door by removing the retaining screw with a phillips screwdriver. Carefully remove the log set.
- 6) Remove the two burner tubes from the firebox. Note their position for reassembly.
- 7) Remove the log rack by removing the two screws that retain it.
- 8) Remove the two phillips screws in the base of the pilot assembly. After removing the base plate, lift the pilot assembly and remove the pilot line with a #10 metric wrench. Place one hand under the pilot assembly, gently tap the pilot assembly with your finger until the NG pilot orifice drops out.
- 9) Place the LP (#35) pilot orifice directly onto the pilot line. Reattach the pilot line with the #10 metric wrench. Replace the pilot base and retaining screws.
- 10) While reaching around the back of the stove to hold the gas manifold fitting with a 3/4" wrench or an adjustable wrench, use a 1/2" deep socket (or 1/2" wrench) inside the firebox to remove the two NG burner orifices (make sure the fitting being held corresponds to the orifice being removed / repeat on the second orifice and fitting). Using the 1/2" socket or wrench without also holding the manifold to remove the burner orifices will damage the manifold. While once again holding the manifold fittings with the 3/4" wrench, install the two LP orifices:
The #55 goes in the rear/top burner, the #56 in the front/bottom burner.
- 11) Reinstall the log rack. Install the front burner tube first. Note, this is the longer of the two burner tubes. Push the shutter rod through the bottom hole. Install the top/rear burner tube making sure the shutter rod passes through the top hole in the rear of the firebox. Adjust the shutters as indicated in the Owner's Manual. **IMPORTANT: When tightening the shutter clamp screw (step 12), do not over-tighten. Tighten until the screw head touches metal, then another 1/4" turn.** Replace the log set. Close the front door and tighten the screw.
- 12) On the back of the stove, tighten the shutter retainer bolt and replace the rear cover.

CONVERTING THE VALVE: To convert the valve refer to the following Instructions and illustrations.



CONVERTING THE VALVE:

- 1) Using a Torx T20 (tamper proof torx on older models, slotted screwdriver on newer models), remove and discard the three pressure regulator mounting screws (A), the pressure regulator tower (B), and the diaphragm (C).
- 2) Insure that the rubber gasket (D) is properly positioned and install the new HI/LO pressure regulator assembly to the valve using the new screws (E) provided with the kit. Tighten the screws securely.
- 3) Install the enclosed identification label (F) to the valve body where it can be readily seen. Placed the red LP sticker over the NG sticker on the valve door.

BEFORE THE STOVE IS USED:

- 1) Turn on the gas supply. Check the manifold pressure using a manometer. Refer to the Owner's Manual for instructions.
- 2) LEAK TEST BEFORE AND AFTER LIGHTING THE STOVE.

- 3) The Input rate of the heater can be verified by checking the manifold pressure. If the manifold pressure is correct, then the input rate is also correct. Refer to the Owner's Manual for:
- a. Details on adjustment for proper pilot and main burner flame appearance.
 - b. Instructions for placing all markings provided in the kit in the appropriate location on the heater.
 - c. Instructions for checking out the normal operating sequence of the ignition system.
 - d. Location on valve to check manifold pressure.

| | Natural Gas | LP |
|----------------------------------------|--------------------|--------------------|
| Input rating (Btu/hr) 0-1370 m | 36,000 | 36,000 |
| Maximum output (BTU/hr) 0-1370 m | 29,250 | 29,050 |
| Minimum input rating (Btu/hr) 0-1370 m | 24,000 | 28,700 |
| Orifice size DMS 0-1370 m | 46 Front & Rear | 56 Front & 55 Rear |
| Pilot orifice | 51 | 35 |
| Manifold pressure (in. w.c./kPa) | 3.5/0.87 | 10.0/2.48 |
| Man. Pressure-Lo setting (in.w.c./kPa) | 1.6/0.42 | 6.5/1.6 |
| Minimum inlet pressure (in. W.c./kPa) | 5.0/1.24 | 11.0/2.88 |
| Maximum inlet pressure (in. W.c./kPa) | 10.5/2.62 | 13.5/3.36 |

Warning: Make sure proper replacement orifices have been used.