



Technical Data Sheet

Installation of the Phoenix Model 8612 Outside Air Adaptor Assembly 96-56322

This kit is used on Phoenix model 8612 (all Phoenix stoves manufactured after February 1999 with serial numbers that exceed 006471). All earlier Phoenix models use kit #96-56320.

Publish Date: 4/2/2002

ASSEMBLY CONTENTS:

- (1) - Phoenix Outside Air Box With Plate And Inlet
- (3') - 3/4" Gasket Kit
- (14) - 8-32 X 3/8" Pan Head Type F Screws

TOOLS REQUIRED:

- Stubby Cross-tip Screwdriver
- Scissors

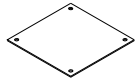
BEFORE YOU BEGIN: Determine where the duct for the outside air will terminate. The duct attaches to either the back center of the adaptor or to the right side (as you face the stove) by changing the position of the screw-on intake and blank plate (see illustration).

NOTE: When considering placement of the duct from the outside of the house to the hearth, keep in mind the need to avoid structural members of the wall. Locate the termination of the duct on the outside wall to preclude the possibility of obstruction by snow, leaves, or any other materials. Screen the outside termination with a 1/4" X 1/4" mesh rodent screen and cover it with a rain/wind proof hood (flex pipe, outside termination, mesh and hood supplied by others). Contact your dealer for availability.

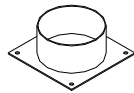
INSTALLATION PROCEDURE:

1. Once you've determined the placement of the Inlet and plate, secure these pieces to the box using eight of the screws provided.
2. Cut the flat gasket to fit the flanges on the outside air box. Peel off the paper backing and apply the flat gasket to the flanges.
3. From the back of the stove, slide the outside air box under the stove and position it so that it lines up with the six holes which are pre-drilled and threaded into the bottom casting. Holding it in this position, attach it to the stove with the 6 remaining screws. Be careful not to over tighten these screws, as doing so will bind the primary air control lever. Stop and check the movement of this lever before continuing.
4. Connect the Inlet to the outside air supply with a 3" metal flex pipe (supplied by others).

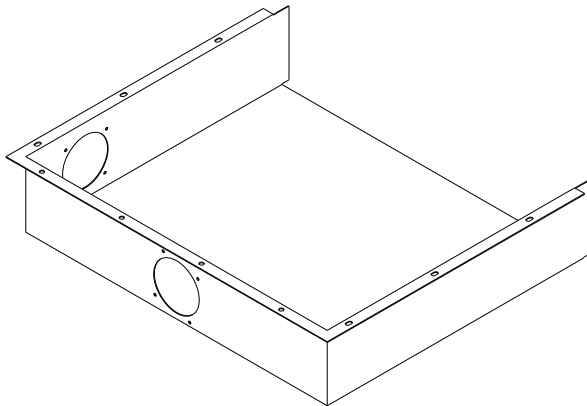
OUTSIDE AIR KIT COMPONENTS



(1) BLANK COVER W/SCREWS



(1) INLET W/SCREWS



(1) OUTSIDE AIR BOX W/SCREWS



INSTALLATION INSTRUCTIONS

Outside Air Box Measures 13-7/8" x 19-1/8" x 4"