



Technical Data Sheet

Installation of the Blower on the Tucson 8702 Gas Stove *Kit Number 97-57105*

🔥 IMPORTANT NOTE: Use this blower kit only on the DX model. If you have the ST model, you must purchase the upgrade kit (97-68000), which includes this blower kit, the remote and receiver. **Do not use this blower kit on the previous versions of this stove: Tucson DV models 8700 or 8701.**

Publish Date: 1/16/2011

KIT CONTENTS:

(1) Blower Assembly

TOOLS REQUIRED:

Phillips Screwdriver

🔥 ELECTRICAL GROUNDING INSTRUCTIONS:

This blower and control module are equipped with three-pronged (grounding) plugs for your protection against shock hazard. Only plug into a properly grounded three-prong receptacle. Do not cut or remove the grounding prong from the plugs.

🔥 Ensure the stove has cooled down before you begin the installation of this blower.

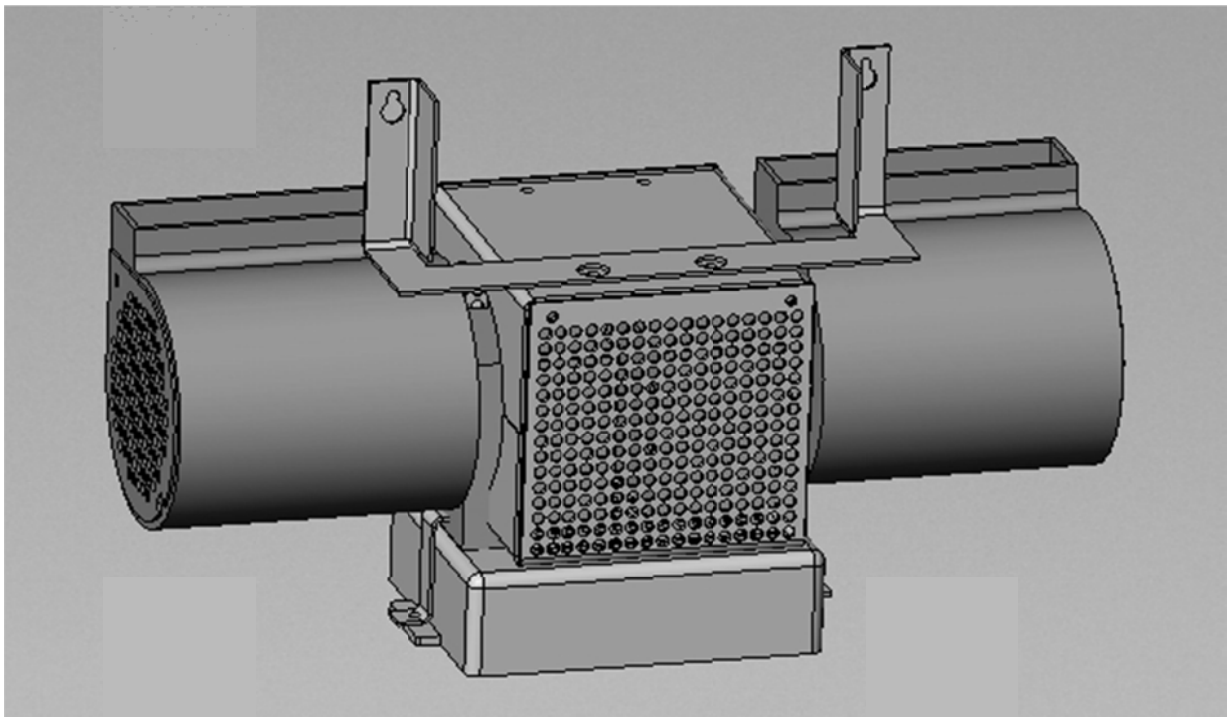


Photo # 1 – Blower Assembly

PROCEDURE:

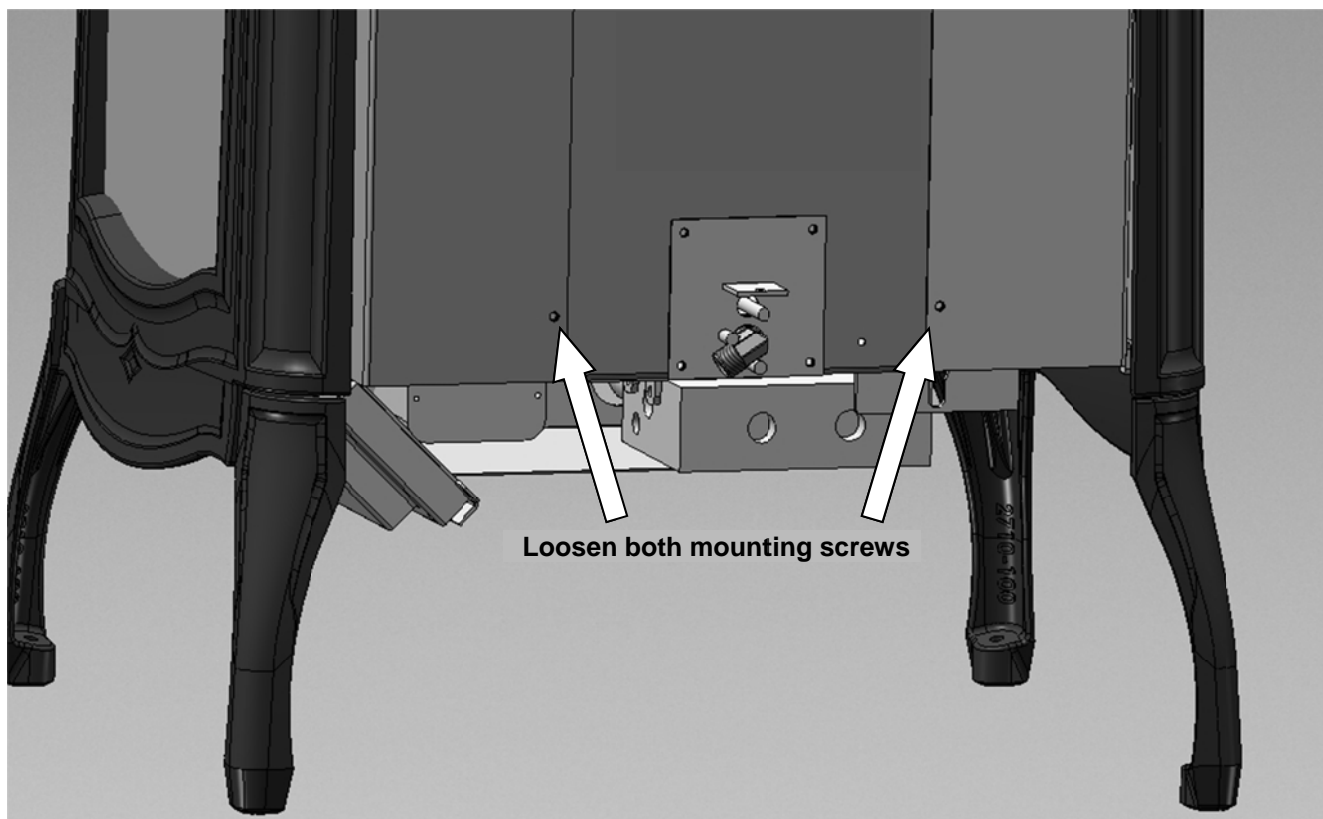


Photo # 2 - Rear Mounting Screws

1. Using a Phillips screwdriver loosen but do not remove the two screws on the back of the stove shown in **Photo #2** above.

2. Slide the Mounting holes on the Blower over the heads of the screws as shown in **Photo #3** below.
3. Pull the blower down until the blower is firmly seated on the screws. Tighten the screws on the back of the stove to hold the blower in place.

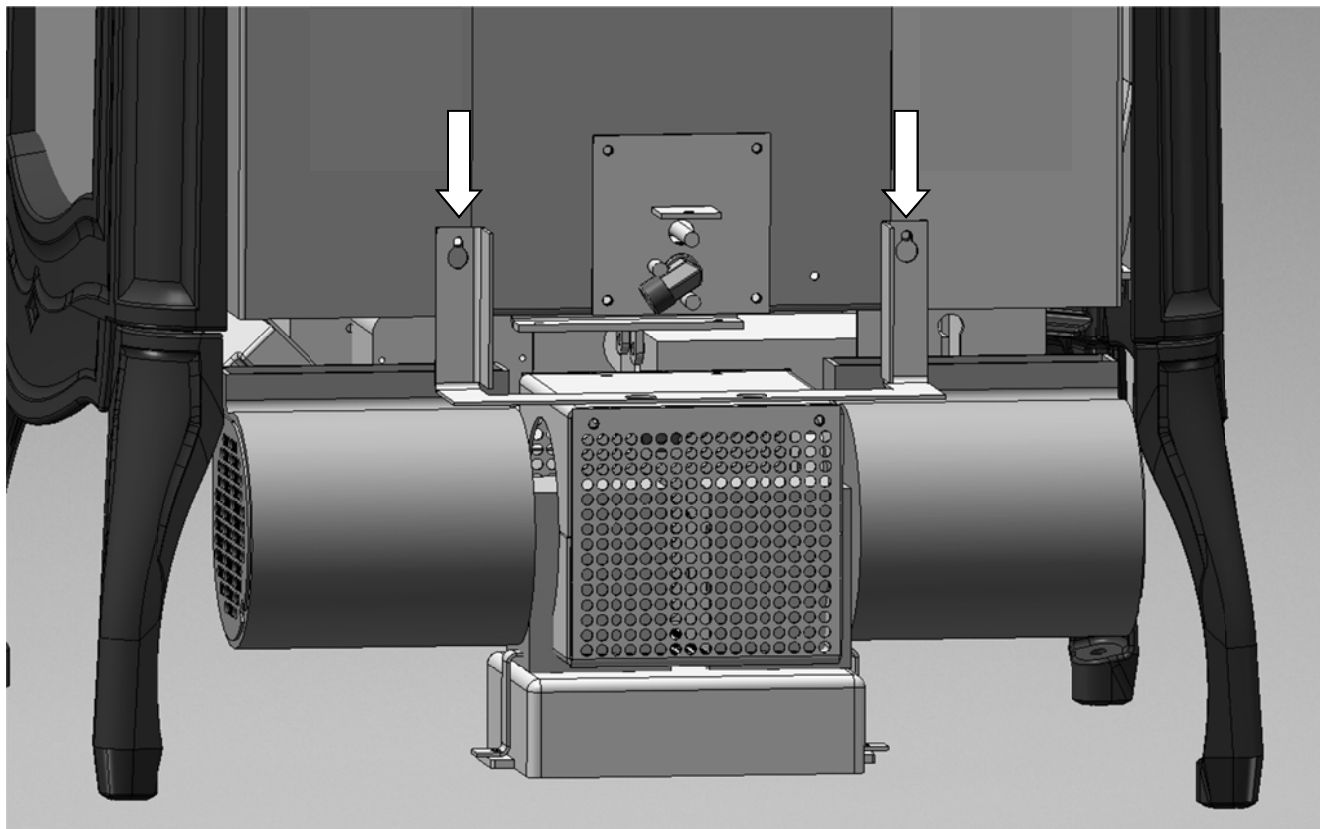


Photo # 3 - Mounting Screws

BLOWER OPERATION: The blower will not run until the stove is activated via the remote control. To turn the blower on press the ON button on the remote and follow the instructions provided with the remote control. The remote will allow you to modulate the fan on and off as well as adjust the speed through 6 different levels.

👉 **Note:** Do not attach this blower to the Tucson 8702 ST model unless it is part of the upgrade kit (97-68000). The blower is not functional without the remote and the receiver units.