



## Technical Data Sheet

### High Wind Cap Guard Kit

*Kit 97-57340*

**Publish Date: June 13, 2011**

**CONTENTS:**

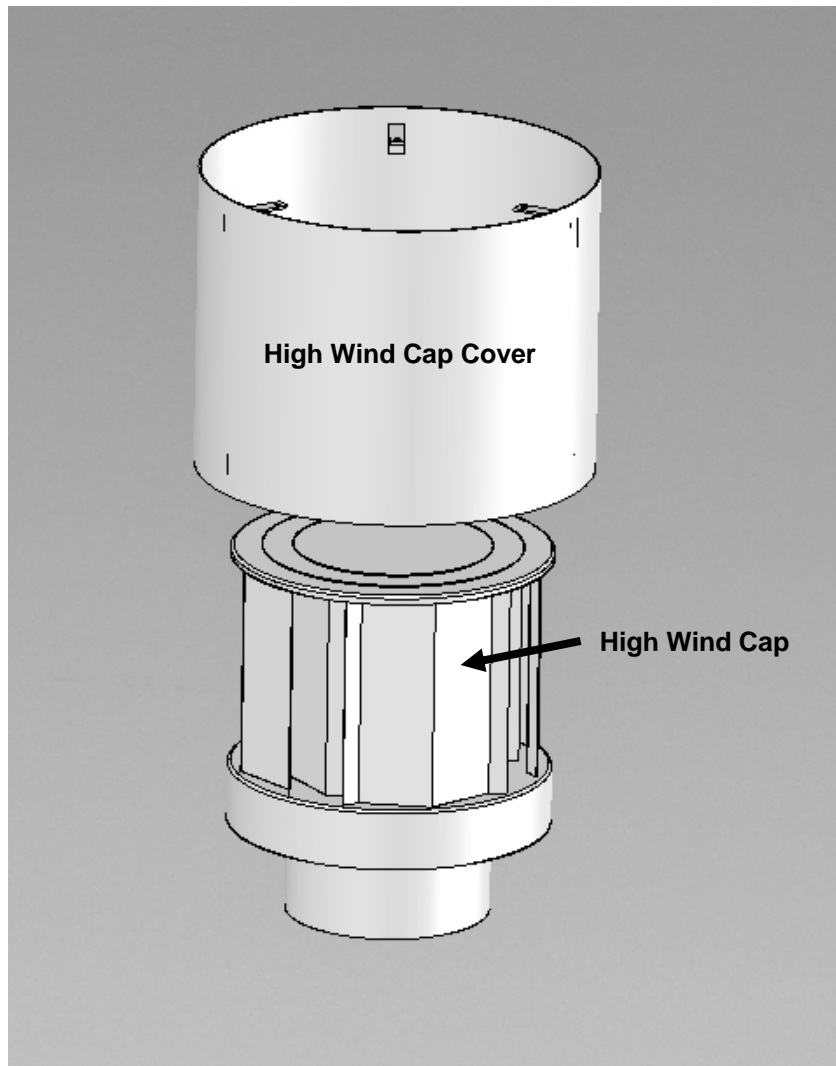
5860-185 – High Wind Cap Cover  
4500-0030 – ½” Self-drilling screws  
Instructions

**REQUIRED TOOLS:**

Drill  
5/16” socket

**PROCEDURE:**

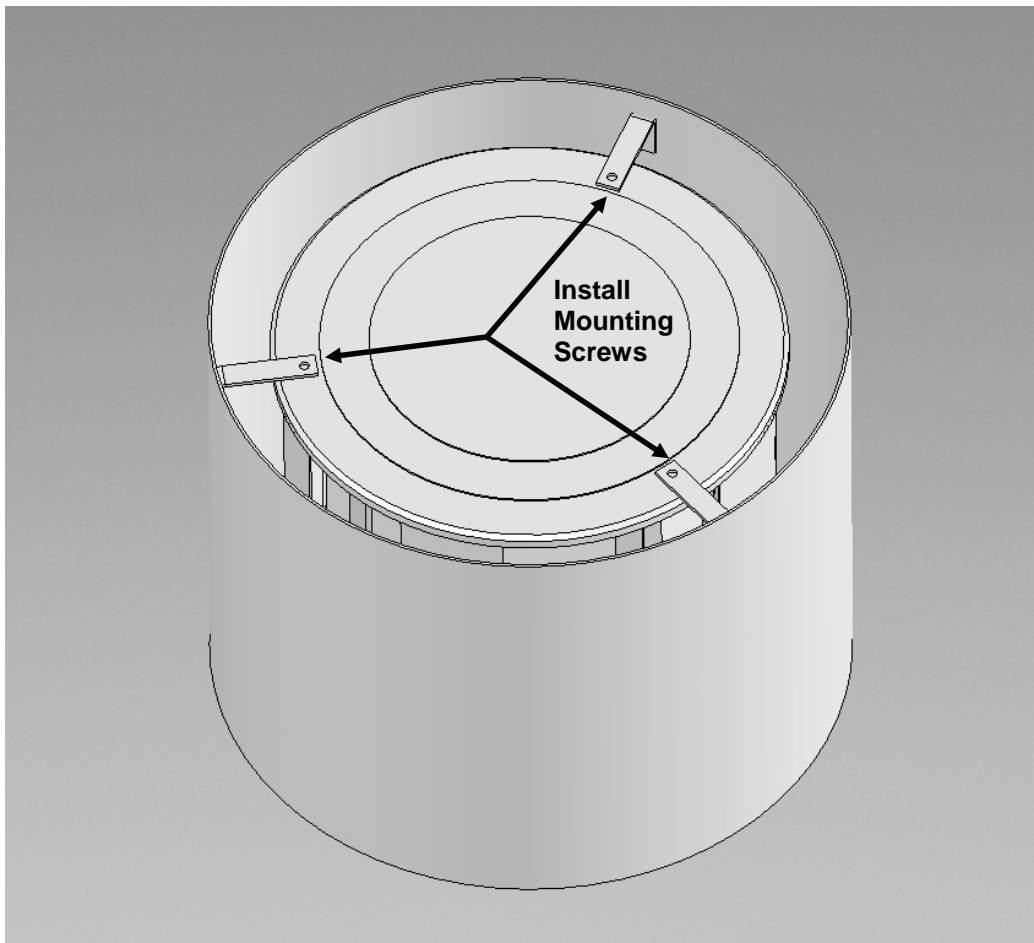
1. Slide the High Wind Cap Cover over the high wind cap as shown in figure 1. Center the cover.



**Figure 1**

Hearthstone Quality Home Heating Products, Inc.  
317 Stafford Ave., Morrisville, VT 05661  
[www.hearthstonestove.com](http://www.hearthstonestove.com)

- Using the 3 screws provided, screw the High Wind Cover Cap down through the high wind cap as shown in Figure 2.



**Figure 2**