



# Technical Data Sheet

## Minimum Vent Kit Installation: Tucson 8700, 8701, 8702, and Stowe 8320, 8321 Models *Assembly 97-65001*

**Publish Date: 10/7/2009**

**BEFORE YOU BEGIN:** Check venting charts in the Owner's Manual to determine if a restrictor plate needs adjustment or is required. If so, follow the instructions provided with the restrictor plate or those in the owner's manual. If not, proceed to step 1.

### **KIT CONTENTS:**

- (1) - 5701-945B, 45° Elbow
- (2) - 5701-907B, 9" Pipe Length
- (1) - 5701-942, Wall Thimble Kit
- (1) - 5701-940, Thimble Cover
- (1) - 5701-984, Horizontal Termination Cap
- (1) - 5701-990B, 90° Elbow
- (All Dura-Vent Components)

### **TOOLS & MATERIALS REQUIRED:**

- Metal Shears
- Tools Needed to Cut and Frame Wall
- Phillips Screwdriver
- Non-Hardening Mastic
- Wood Screws
- Sheet Metal Screws
- Recommended:
  - Safety Glasses
  - Work Gloves

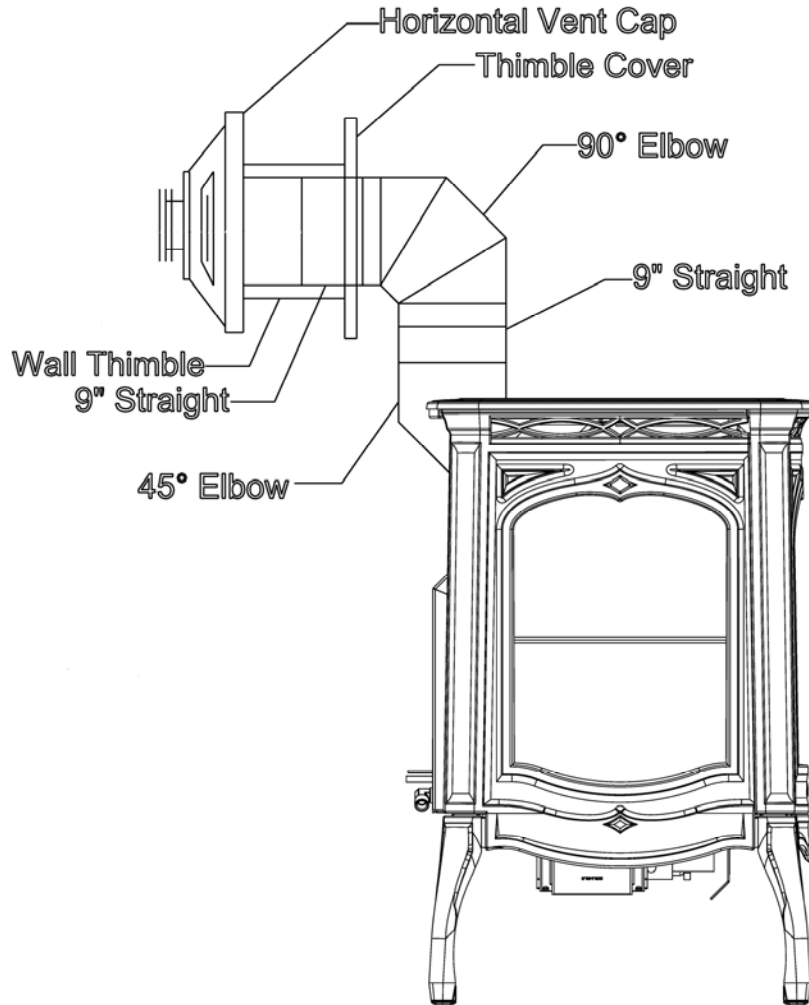
### **PROCEDURE:**

- 1) For models with the starter collar kit factory installed, install the 45° degree elbow over the outer collar. Place the elbow so that the twist lock end is pointing up.
  - a) For other models, you must attach the included starter collar kit.
    - i) Install the 4" inner collar by first placing the 4" X 6" gasket ring onto the base of the collar. Install the collar and gasket to the stove using 8 of the screws provided.
    - ii) Install the outer collar in similar fashion using the larger gasket ring and the remaining 8 screws. Then install the 45° elbow as outlined in step 1.
- 2) Install one of the 9" pipe sections into the 45° elbow by fully inserting it and turning it approximately 1/4 turn clockwise, until the 2 sections are fully locked. Install the 90° degree elbow on the 9" straight section using the same technique.
- 3) Move the stove and pipe assembly back towards the wall until the 90° elbow is flush to the wall. The 9" vertical pipe should be parallel to the wall. Draw a circle around the pipe where the elbow touches the wall. Use the center of this circle as the center point of the 10" X 10" square wall pass through. Cut and frame the wall pass through as necessary.
- 4) Place the interior wall thimble into the 10" X 10" wall pass through. Secure it with 4 wood screws (not provided). Install the exterior portion of the thimble in similar fashion, overlapping the two sections.

** NOTE: For buildings with vinyl siding, purchase a vinyl siding standoff (Dura-Vent part 950) [not included]. The vinyl standoff must be installed between the vent termination cap and the exterior vinyl siding. Refer to *Dura-Vent's Venting Instructions for Direct Vent Heaters* for standoff installation instructions.**

- 5) Install the horizontal vent termination cap on the outside of the wall. Ensure both of the retaining straps extend in through the interior wall thimble. Before attaching the vent termination to the outside of house, run a bead of non-hardening mastic around its outside edges to make a good seal between it and the wall surface. The arrow on the end cap should point up. Secure the cap to the wall with the appropriate screws.
- 6) Place the thimble cover onto the 90° elbow. Put the 9" pipe into the horizontal vent cap, (the vent pipe must extend into the horizontal vent cap a minimum of 1-1/4").
- 7) Move the stove and vent pipe into position, insert the 9" pipe into the 90° elbow and twist lock it.
- 8) Secure the straps from the horizontal vent termination cap to the interior pipe with 2 sheet metal screws, keeping screws as close to wall thimble as possible.
- 9) Bend or cut the excess strapping so that the thimble cover will fit properly. Screw the thimble cover to the wall.

 **Ensure all stove and termination clearances are as per the Owner's Manual and/or local codes.**



**Figure 1 – Typical Minimum Vent Configuration for Tucson and Stowe Models (8702 Shown)**