



Technical Data Sheet

DVI 38 (Model 8850) & DVI 44 (Model 8860) Burner Mounting Tab Kit

Kit 97-74500

Publish Date: November 14, 2012

KIT COMPONENTS:

5860-162 Burner Mounting Tab

TOOLS REQUIRED:

Phillips Screwdriver

🔥 IMPORTANT: This kit and these instructions apply to the DVI 38 (8850) & DVI 44 (8860) models only.

PROCEDURE: Ensure the Insert is cool before installing the Burner Mounting Tab.

1. Remove the front glass assembly. Locate the 3 front glass mounting clips on the insert just above the top of the glass. Pull outward, then upward, to unlatch the 3 glass clips from the glass frame.
2. Remove the ember bed by carefully lifting it up and out of the firebox.
3. Using a Phillips screw driver, remove the rear screw that mounts the orifice bracket as shown in Figure 1. This screw will be reused to mount the Burner Mounting Tab.

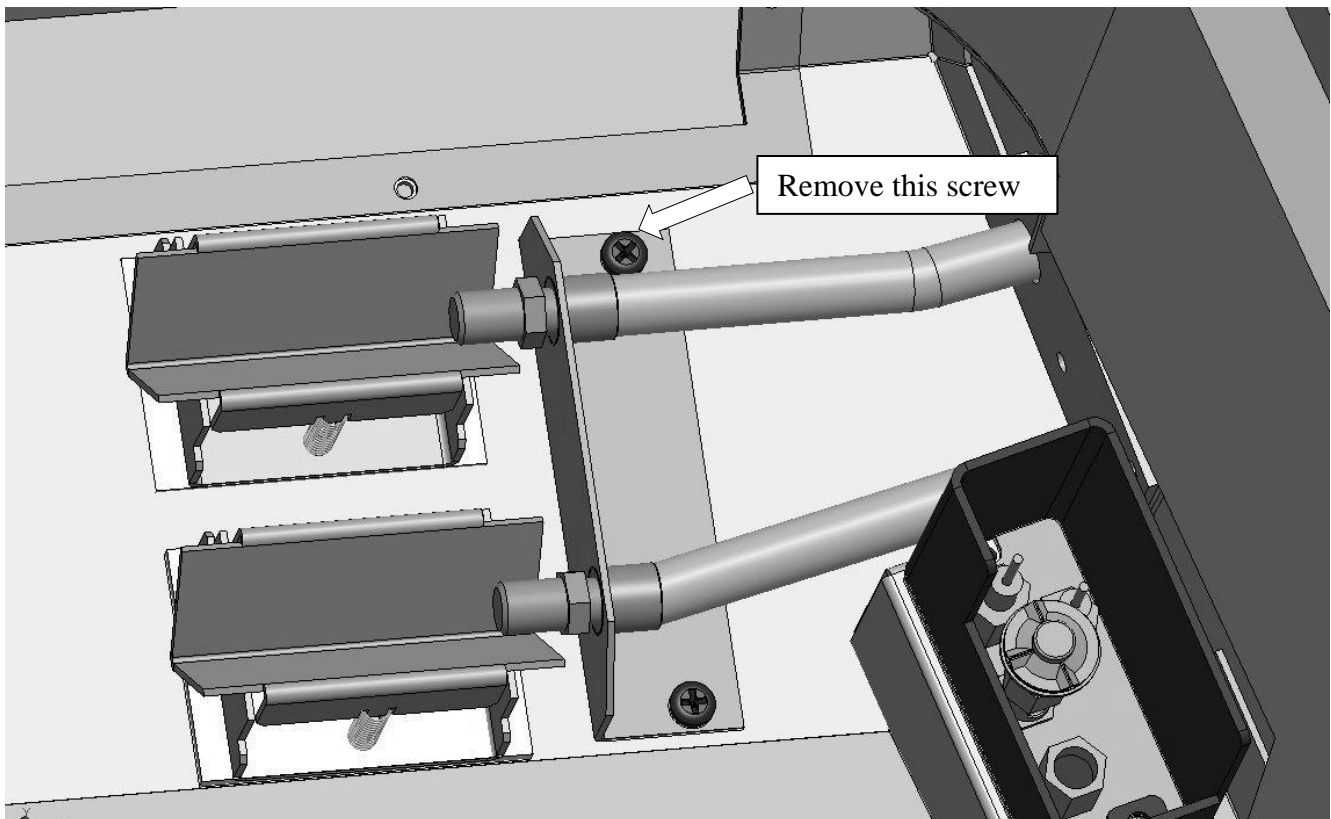


Figure 1

Hearthstone Quality Home Heating Products, Inc.
317 Stafford Ave., Morrisville, VT 05661
www.hearthstonestove.com

4. Locate the Burner Mounting Tab. Place the Burner Mounting Tab in position exactly as shown in Figure 2. Using the screw that was removed in Step 3 mount the tab and fasten the screw back in its original position. This tab will hold the rear of the burner up slightly taking the weight off from the air shutters. This will allow the air shutters to slide more freely using the external controls. **It is very important that the Burner Mounting Tab is positioned as shown in Figure 2.**

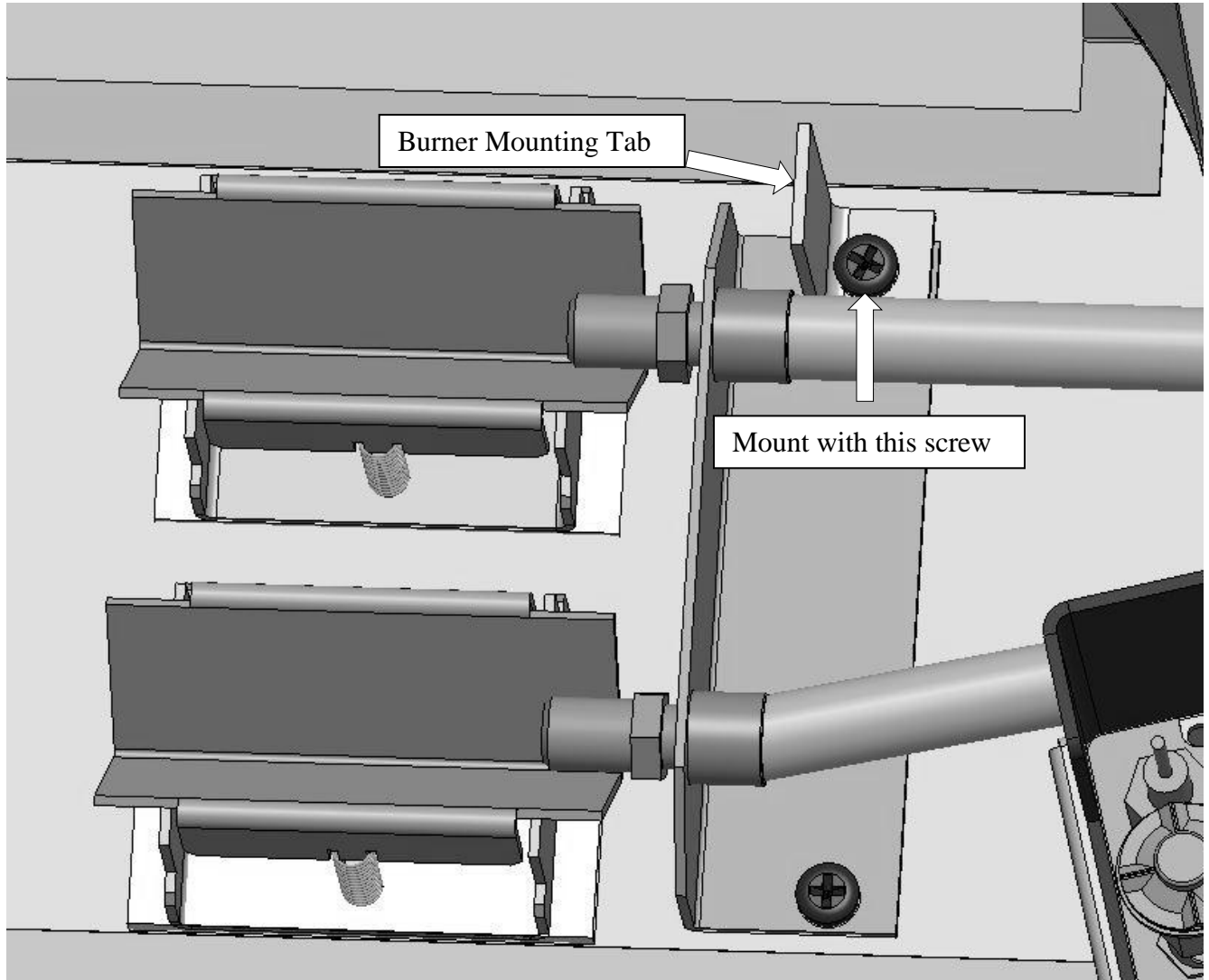


Figure 2