



Technical Data Sheet

DVI-44 Model 8860 Façade Installation Instructions

Kit #98-5160000 Series Façades

Publish Date: 11/10/2011

INCLUDED IN KIT:

Quinlan Rectangular Façade Assembly
or
Larkin Arched Façade Assembly
or
Coburn Façade Assembly

TOOLS REQUIRED:

None

Part Numbers: 98-5160010, 98-5160020, 98-5160110, 98-5160120, 98-5160210, and 98-5160217.

PROCEDURE:

1. Install DVI-44 Insert into fireplace, and mount the surround.
2. Locate the hanging brackets on the back side of the façade.
3. Locate the 2 Rollers on the firebox.
4. Lift the façade and set the hanging brackets on the rollers. (The hanging brackets will not engage onto the rollers if the façade is centered on the firebox. You must offset the façade 2" to 3" to the right of center so the brackets will seat onto the rollers.) Ensure the hanging brackets engage the groove in the rollers.
5. Once in place - slide the façade back to center.
6. If properly installed the façade should slide from center to the right with ease. Only operate the DVI 44 with the façade in the center position.
7. To remove the façade simply slide the façade to the right and lift up and away from the insert.

🔥 Note: The façade will not slide to the left past the center position. You will have access to all user and service controls when the façade is moved fully to the right or completely removed.

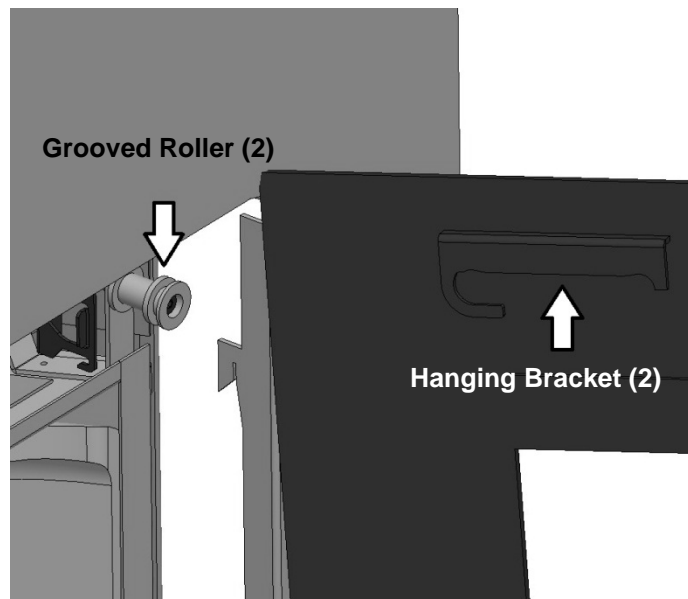


Figure 1 – Façade Mounting Point Detail