



## Technical Data Sheet

### DVI-44 (8860) Front Glass Replacement Kit

*Kit 98-58600*

**Publish Date:** January 27, 2012

#### **KIT COMPONENTS:**

97-58600- Glass Kit Assembly

#### **TOOLS REQUIRED:**

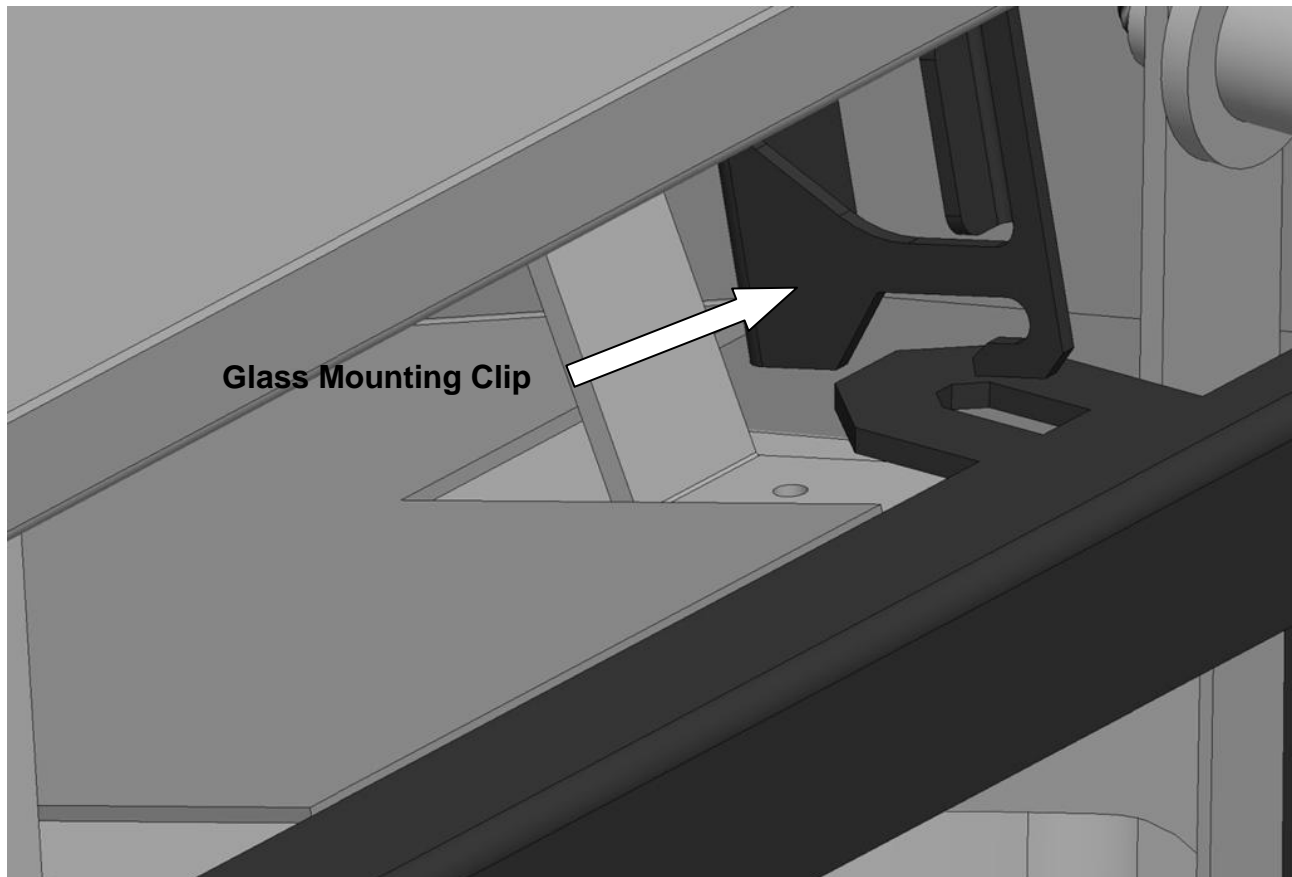
None

**🔥 IMPORTANT:** This kit and these instructions apply to the DVI 44 (8860) model only.

#### **PROCEDURE:**

##### **Ensure the Insert is cool before replacing the Glass Kit Assembly**

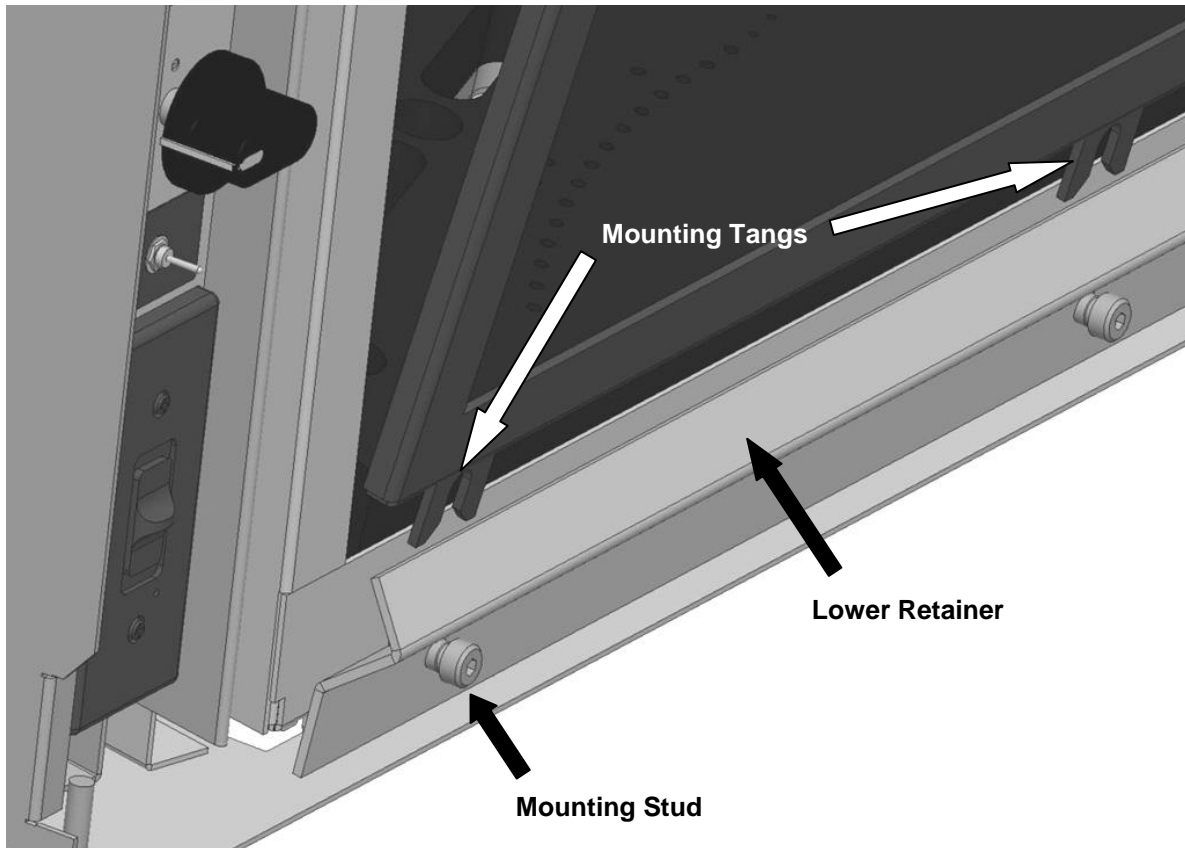
1. Remove the façade from the unit by lifting and pulling it away from the Insert.
2. Remove the front screen from the insert by lifting and pulling it away from the unit.
3. **Remove the damaged Glass Frame Assembly.** Locate the 3 front glass mounting clips on the insert just above the top of the glass, as shown in **Figure 1**. Pull outward, then upward, to unlatch the 3 glass clips from the glass frame.



**Figure 1**

Hearthstone Quality Home Heating Products, Inc.  
317 Stafford Ave., Morrisville, VT 05661  
[www.hearthstonestove.com](http://www.hearthstonestove.com)

- Carefully lift the assembly out of the lower retainer, and pull the damaged Glass Frame Assembly away from the insert.
- Place the new Glass Frame Assembly on the insert. **Ensure you slide the lower glass frame tangs behind the lower retainer, and that they engage the 3 mounting studs on the bottom of the insert.**



**Figure 2**

- Secure the 3 Glass Mounting Clips to the Glass Frame.
- Ensure the Glass Frame Assembly is seated evenly against the firebox creating a tight seal.
- Install the Front Screen on the insert.
- Install the façade on the insert.

