



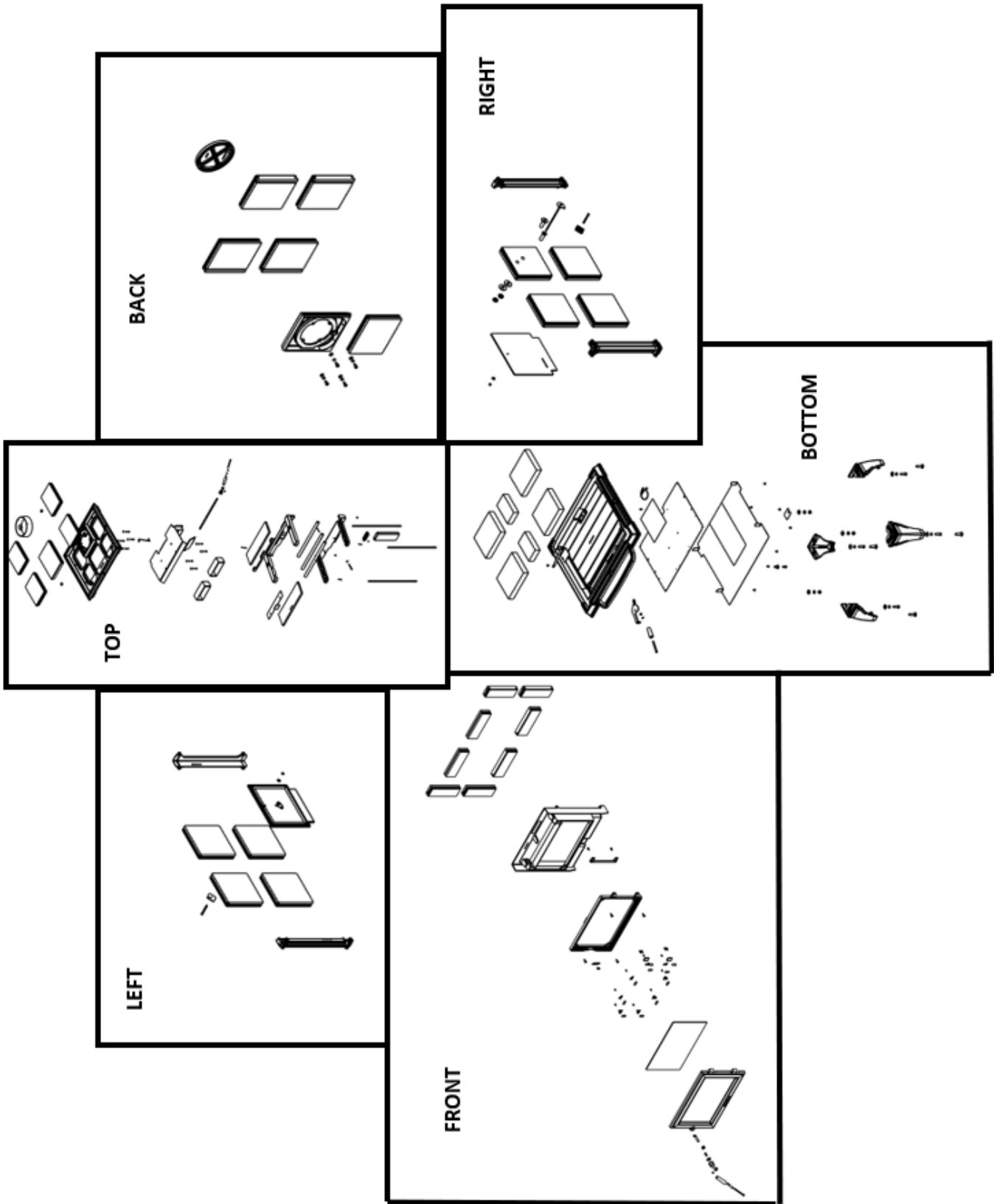
CASTLETON I



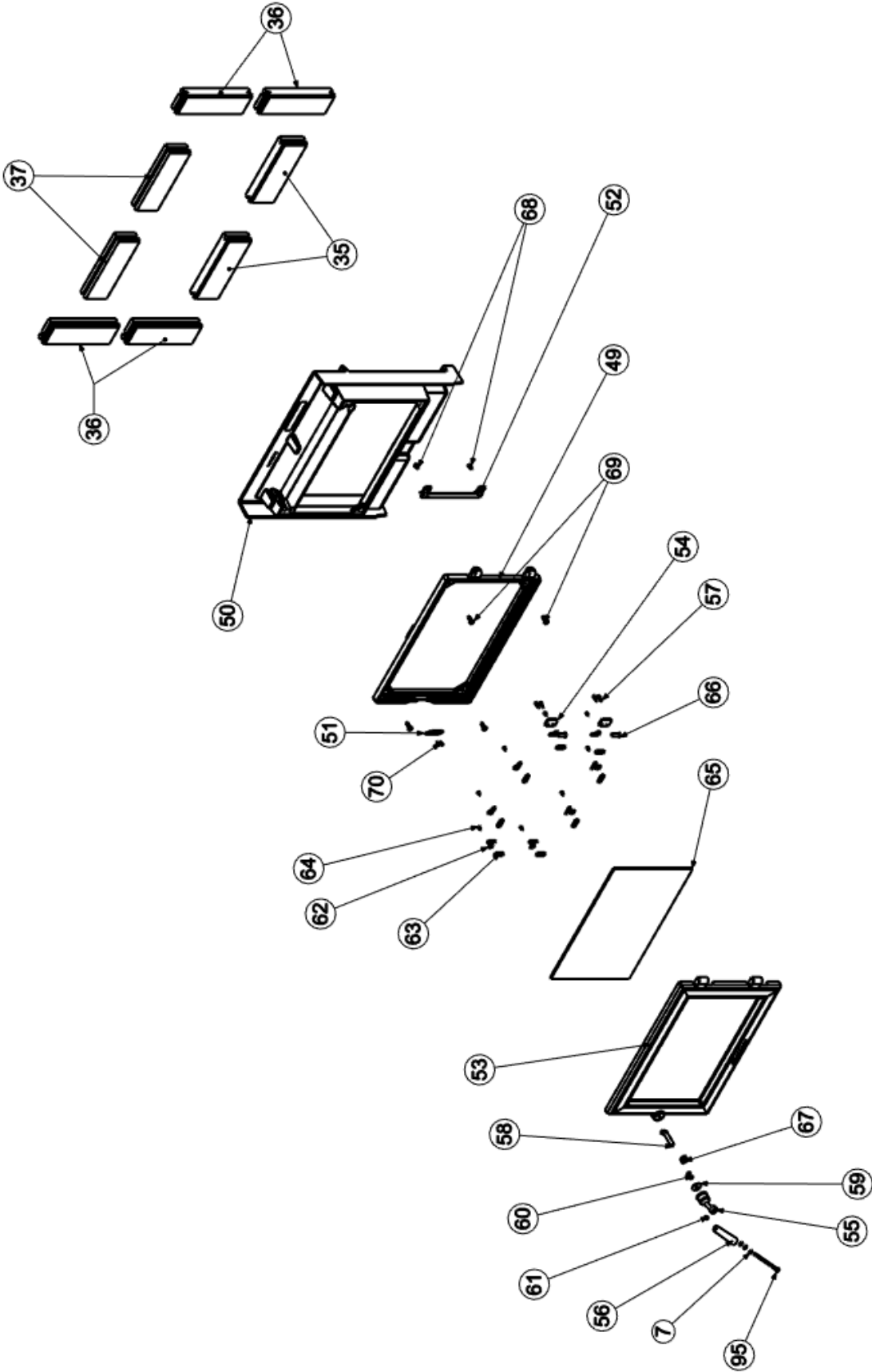
Model 8031

Illustrated Parts List

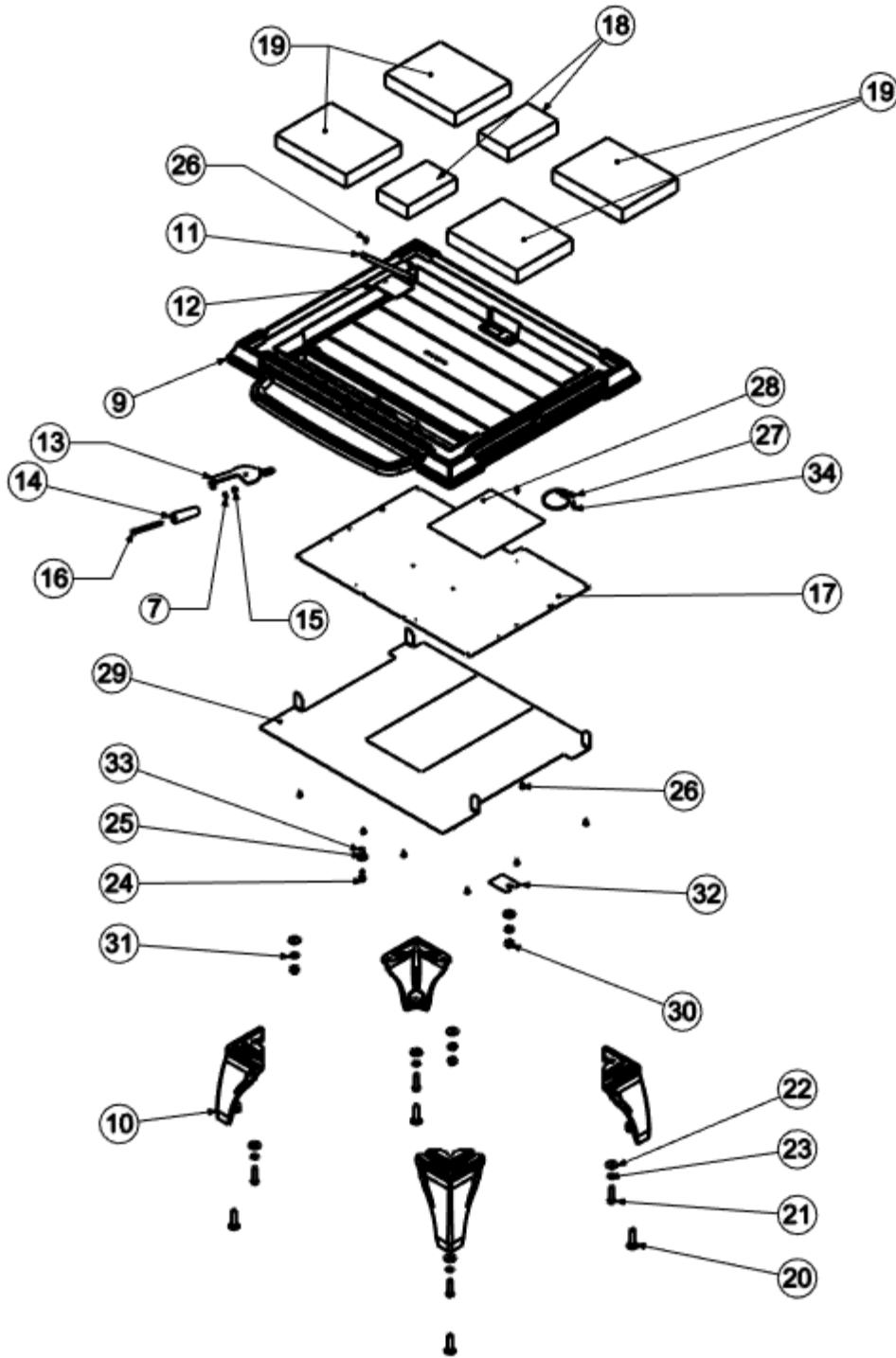
Full Assembly



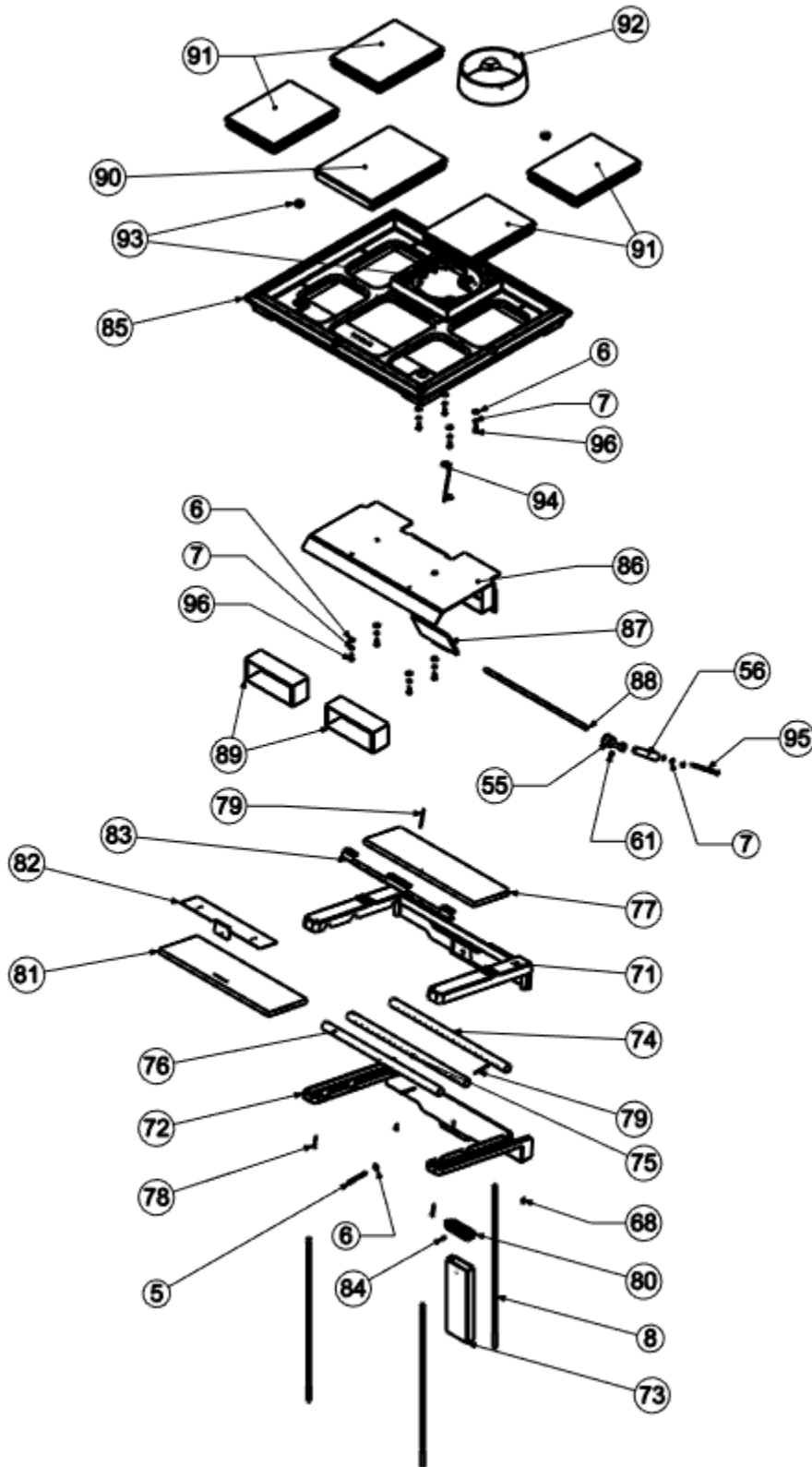
FRONT



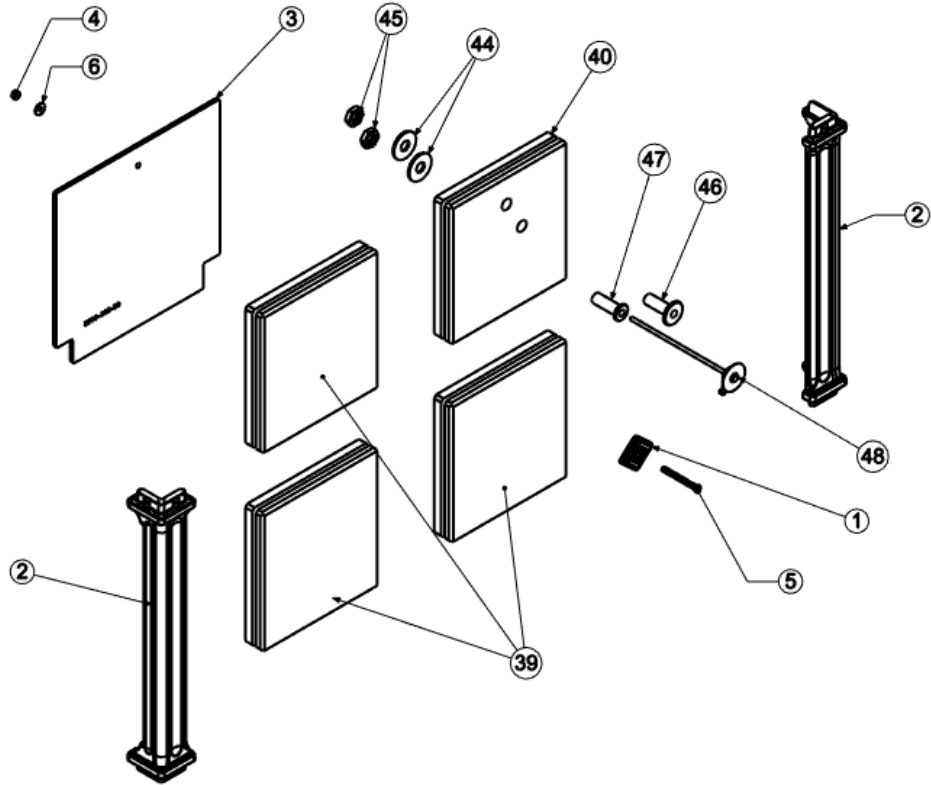
BOTTOM



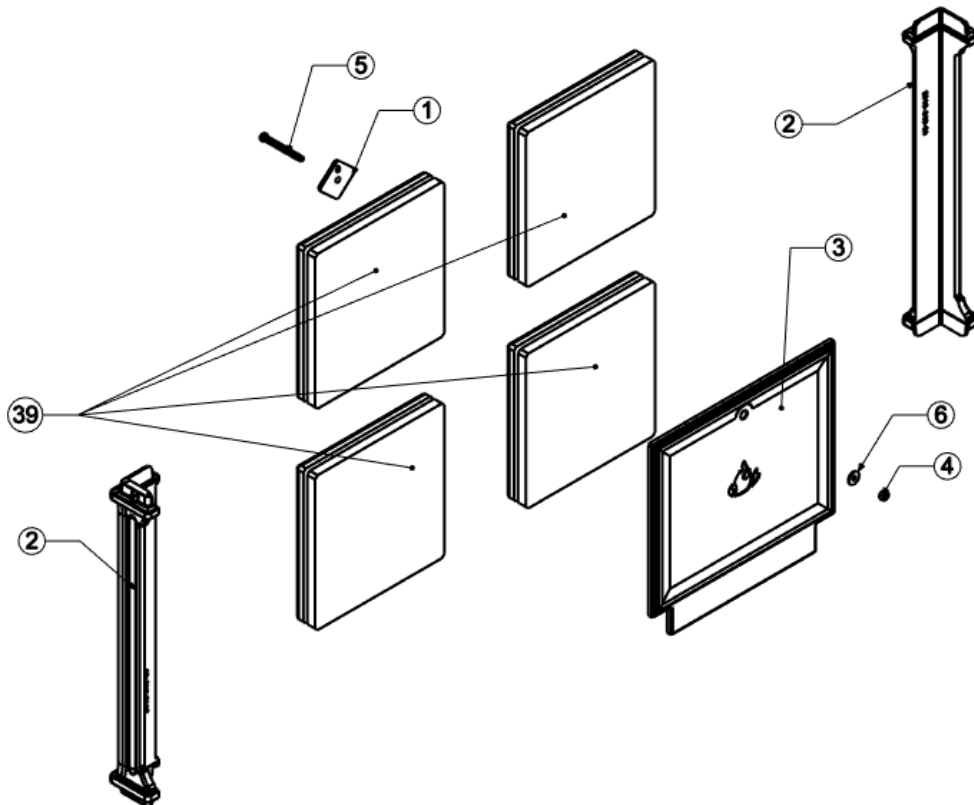
TOP



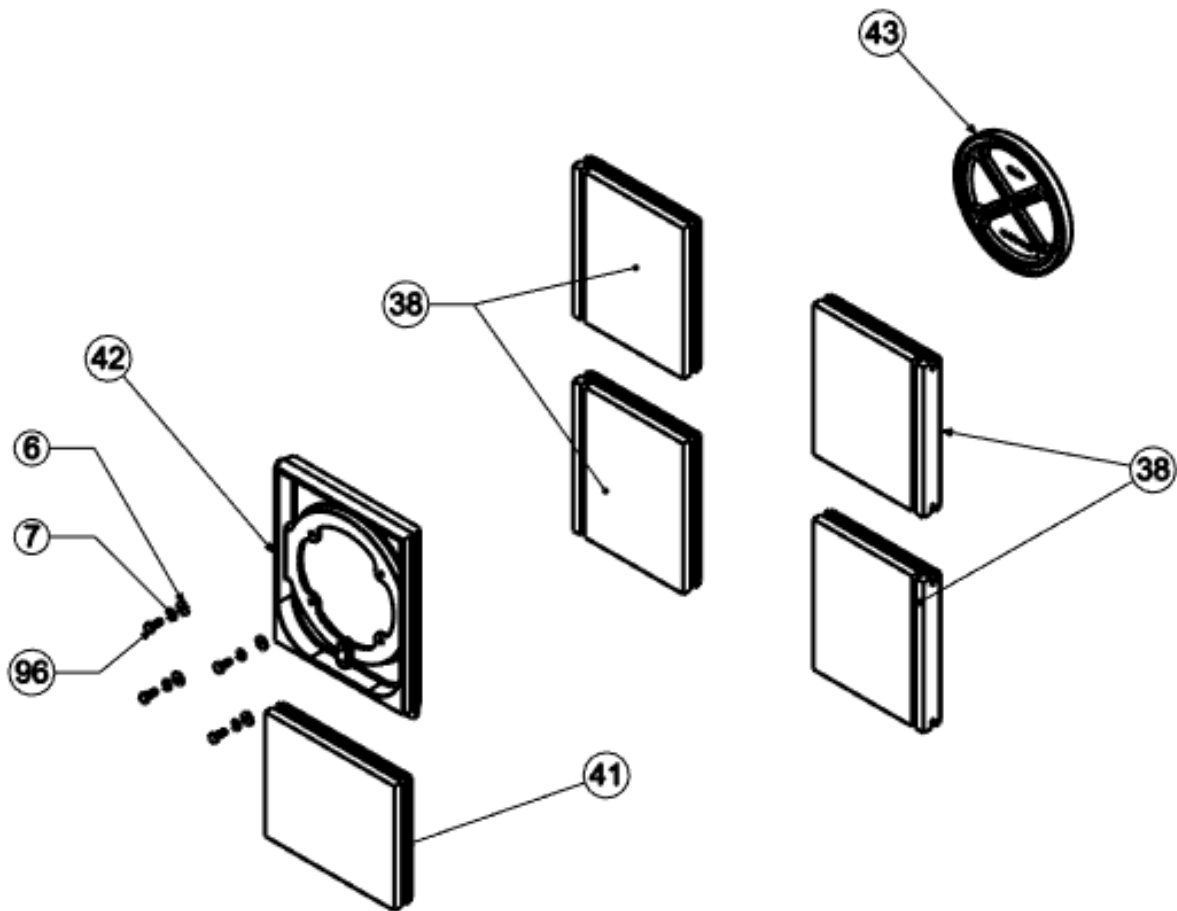
RIGHT SIDE



LEFT SIDE



BACK



Bill of Materials

ITEM NO.	PART NUMBER	DESCRIPTION	QTY.
1	2010-335	SIDE STONE TRIM	2
2	2010-340	COLUMN	4
3	2010-345	SIDE PLATE	2
4	4200-0250	NUT: FINISHING,1/4-20,HEX,SS	2
5	4500-1420	SCREW: CAP,1/4-20x2-1/4",LOW PRO,SOCK	3
6	4600-0310	WASHER: FLAT,1/4,SAE,ZN (5/8" OD)	15
7	4600-0400*	WASHER: LOCK, 1/4",SPLIT,ZN	19
8	5210-2340	TIE ROD	3
9	2010-320	BOTTOM	1
10	2010-310	FOOT	4
11	5021-020	PRIMARY AIR SLIDER RETAINER	1
12	5021-025	AIR CONTROL SLIDER	1
13	5031-032	AIR CONTROL HANDLE	1
14	3900-182	ASH DOOR HANDLE	1
15	4200-0200	NUT: FINISHING,1/4-20,HEX,ZN	1
16	4500-1574	SCREW: MACH,1/4-20x2-1/2",ROUND,PH,ZN	1
17	5030-010	BOTTOM HEATSHIELD	1
18	1-0000-315	REFRACTROY STONE	2
19	1-0000-102	REFRACTROY STONE	4
20	4100-0127	BOLT: CARRIAGE,3/8-16x1-1/2	4
21	4500-3220	SCREW: CAP,5/16-18x1- 1/4",HEX,ZN,GR5	4
22	4600-0800	WASHER: FLAT,5/16,USS (7/8" OD),BLK ZN	7
23	4600-0850	WASHER: LOCK,5/16,SPLIT,MED,ZN	4
24	4100-0280	SCREW: SHOULDER 5/16D X 1/4L, SOCKET	1
25	5570-060	WASHER, SLIDE ARM	1
26	4500-2114	SCREW: MACH,10- 24x3/8",PAN,PH,BLK OX	14
27	5570-030	DESCRIPTION	1
28	3300-721	BLOWER LABEL	1
29	5031-010	SUPPL BOTTOM HEATSHIELD	1
30	4200-0400	NUT: 3/8-16,ZN,GR2,90473A031	3
31	4600-0700	WASHER: LOCK,3/8,SPLIT,BL OX	3
32	5031-041	SECONDARY REDUCTION PLATE	1
33	4600-1400	WAVE WASHER	1

Bill of Materials

34	4400-0100	RIVET: BLIND,1/8x1/4" GRIP,SS (CCP-4	2
35	1141-330	STONE, POLISHED	2
36	1141-340	STONE, POLISHED	4
37	1141-350	STONE, POLISHED	2
38	1141-310	STONE, POLISHED	4
39	1141-320	STONE, POLISHED	7
40	1141-321	STONE,SIDE,R,T,B POLISHED	1
41	1141-325	STONE, POLISHED	1
42	2010-281	REAR EXIT PLATE	1
43	2010-282	FLUE BLANK PLATE	1
44	4600-0880	WASHER	2
45	4200-0100	1/4" PIPE LOCK NUT	2
46	5031-125	BYPASS ESCUTCHEON	1
47	5031-130	PROBE ESCUTCHEON	1
48	7200-525	CAT TEMP PROBE 7"	1
49	2010-360	DOOR FRAME	1
50	2010-330	PRIMARY MANIFOLD	1
51	5030-060	STRIKER	1
52	5030-050	HINGE PIN SUPPORT	1
53	2010-350	DOOR	1
54	5030-055	HINGE PLATE	2
55	5010-081*	LATCH CRANK	2
56	3900-177*	WOOD HANDLE	2
57	4500-2132*	SCREW: SHCS,10-24x1/2",BL OX	4
58	5021-022*	LATCH	1
59	5021-032*	WASHER: FLAT,.406"IDx1"ODx.035"T,BLK	1
60	4700-0790*	SPACER: DOOR LATCH,0.435"x0.375"x0.03"	2
61	4500-2976*	SCREW: SET,5/16-18x3/8",HALF DOG,SOCKET	3
62	5021-060*	GLASS CLIP	8
63	3120-021*	GASKET: GLASS CLIP,BLACK, HER 1/TRI/BRI	8
64	4500-2105*	SCREW: MACH,10-24x3/8",UN- CUT,FLAT,PH,	8
65	3030-055*	GLASS, 15.35X9.49	1
66	5030-045	HINGE BUSHING	2

Bill of Materials

67	5240-138	SPRING: LATCH,WOOD STOVES,325#	1
68	4500-0560	1/4-20x1/2 (MC 90273A537)	4
69	4500-1359	SCREW: MACH,1/4- 20x3/4",PAN,PH,BLK	4
70	4500-2106	SCREW: MACH,10-24x3/8",FLAT,PH,	2
71	2010-380	SECONDARY MANIFOLD TOP	1
72	2010-370	MANIFOLD, SECONDARY, BOTTOM	1
73	5030-040	SECONDARY AIR RISER	1
74	5030-071	SECONDARY AIR TUBE #1	1
75	5031-072	SECONDARY AIR TUBE #2	1
76	5031-073	SECONDARY TUBE #3	1
77	3120-032*	CERAMIC BAFFLE REAR	1
78	4500-1300	SCREW: MACH,1/4-20x1- 1/4",FLAT,PH,BLK OX	2
79	4300-0120*	PIN: COTTER, 1/8X2",SS	3
80	5023-048	GASKET KEEPER	1
81	3120-031*	CERAMIC BAFFLE FRONT	1
82	5022-014	BAFFLE BRACKET	1
83	5031-105	REAR BAFF SUPPORT	1
84	4500-3435*	SCREW: T-CUT,8- 32x3/8", "F",PAN,PH,BL	1
85	2010-390	TOP	1
86	5031-110	CATALYST DAM	1
87	5031-115	BYPASS DOOR	1
88	5031-120	BYPASS SHAFT	1
89	3050-010*	CATALYST, 6"	2
90	1141-360	STONE, POLISHED	1
91	1141-370	STONE, POLISHED	4
92	2010-285	FLUE COLLAR	1
93	4200-0410	NUT: TAMPER-RESISTANT,3/8-16,ZN	3
94	5021-070	BRUSH STOPPER	1
95	4500-1680*	Screw: Mach 1/4-20, 3-1/2, Round, Slot, Zn	2
96	4500-0701	SCREW: CAP,1/4-20x5/8",HEX,SS	12

* = Available in kits only.

REPLACEMENT KITS AND ACCESSORIES

90-57210	BLOWER KIT
90-53300	OUTSIDE AIR KIT
90-68300	REAR HEAT SHIELD KIT
90-69300	SPARK SCREEN KIT
90-58300	GASKET KIT
90-58305	GLASS KIT
90-71100	DOOR HANDLE KIT
90-73212	DOOR LATCH KIT
90-76310	BAFFLE KIT
90-75310	CATALYST REPLACEMENT KIT

Note: See manual for accessory kits.